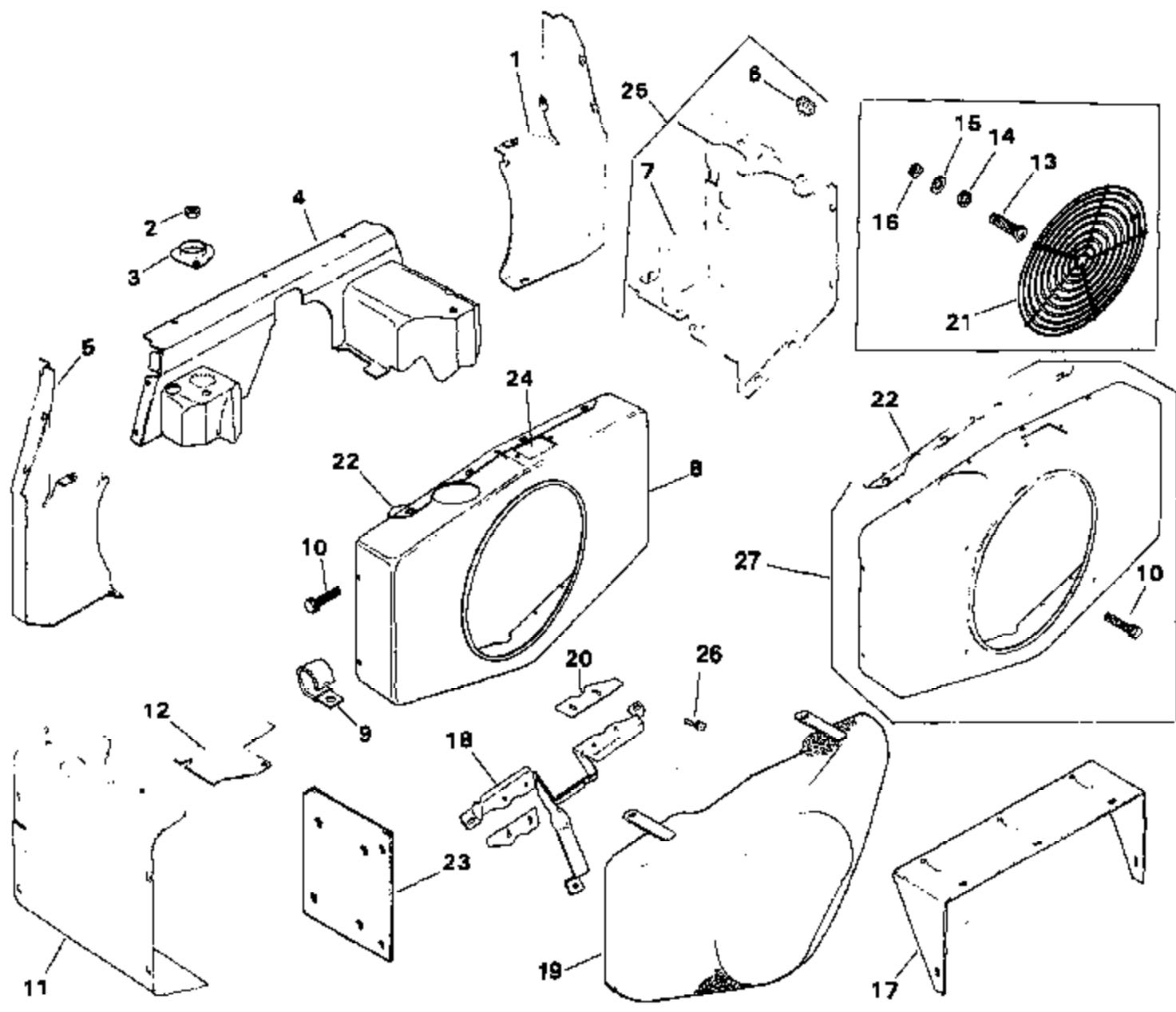


| Ref # | Part Number | Qty | Description |
|-------|--------------|-----|--------------------------------------|
| 1 | X-276-7-S | 2 | Wing nut 1/4-20 |
| 2 | 52 082 02-S | 1 | Cover, air cleaner - square |
| 3 | 52 032 01-S | 1 | Seal, air cleaner cover |
| 4 | 231032-S | 2 | Seal, element cover |
| 5 | 52 082 03-S | 1 | Cover, air cleaner element |
| 6 | 52 083 01-S1 | 1 | Precleaner |
| 7 | 47 083 01-S1 | 1 | Element, air cleaner |
| 8 | X-67-83-S | 1 | Screw, hex. wash. hd. 1/4-20x7/16" |
| 9 | 52 201 07-S | 1 | Base, air cleaner |
| 11 | 25 041 06-S | 1 | Gasket, air cleaner elbow |
| 12 | 52 754 03-S | 1 | Kit, air intake elbow Includes 11,31 |
| 13 | X-22-9-S | 2 | Washer, I.T. #10 |
| 14 | X-50-57-S | 2 | Screw, sltd. pan hd. 10-32x1-1/2" |
| 15 | X-50-37-S | 2 | Screw, sltd. pan hd. 10-32x2-1/4" |
| 16 | X-25-79-S | 1 | Washer, plain #10 |
| 17 | 52 055 04-S | 1 | Gasket, air cleaner |
| 18 | X-352-38-S | 1 | Stud 1/4-20x4-3/4" |
| 31 | X-67-62-S | 1 | Screw, hex. wash. hd. 1/4-20x3/4" |
| | 25 113 07-S | 1 | Decal, air cleaner NOT ILLUSTRATED |

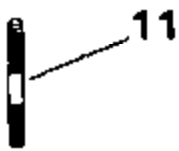
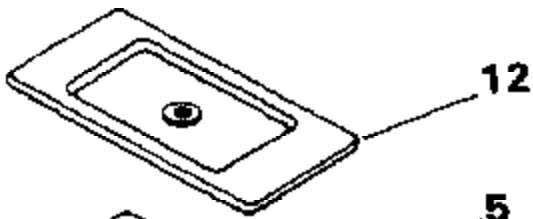
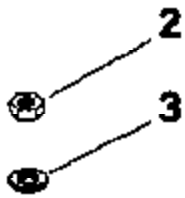
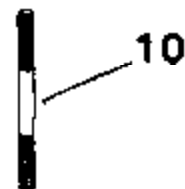
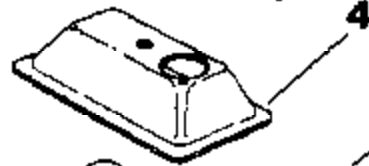
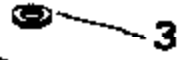
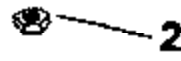
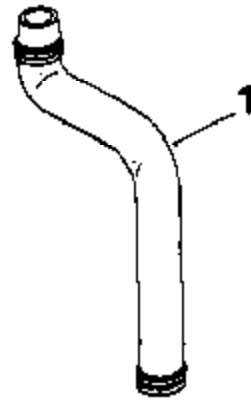
M18-24521
Air Intake

Page 2 of 40



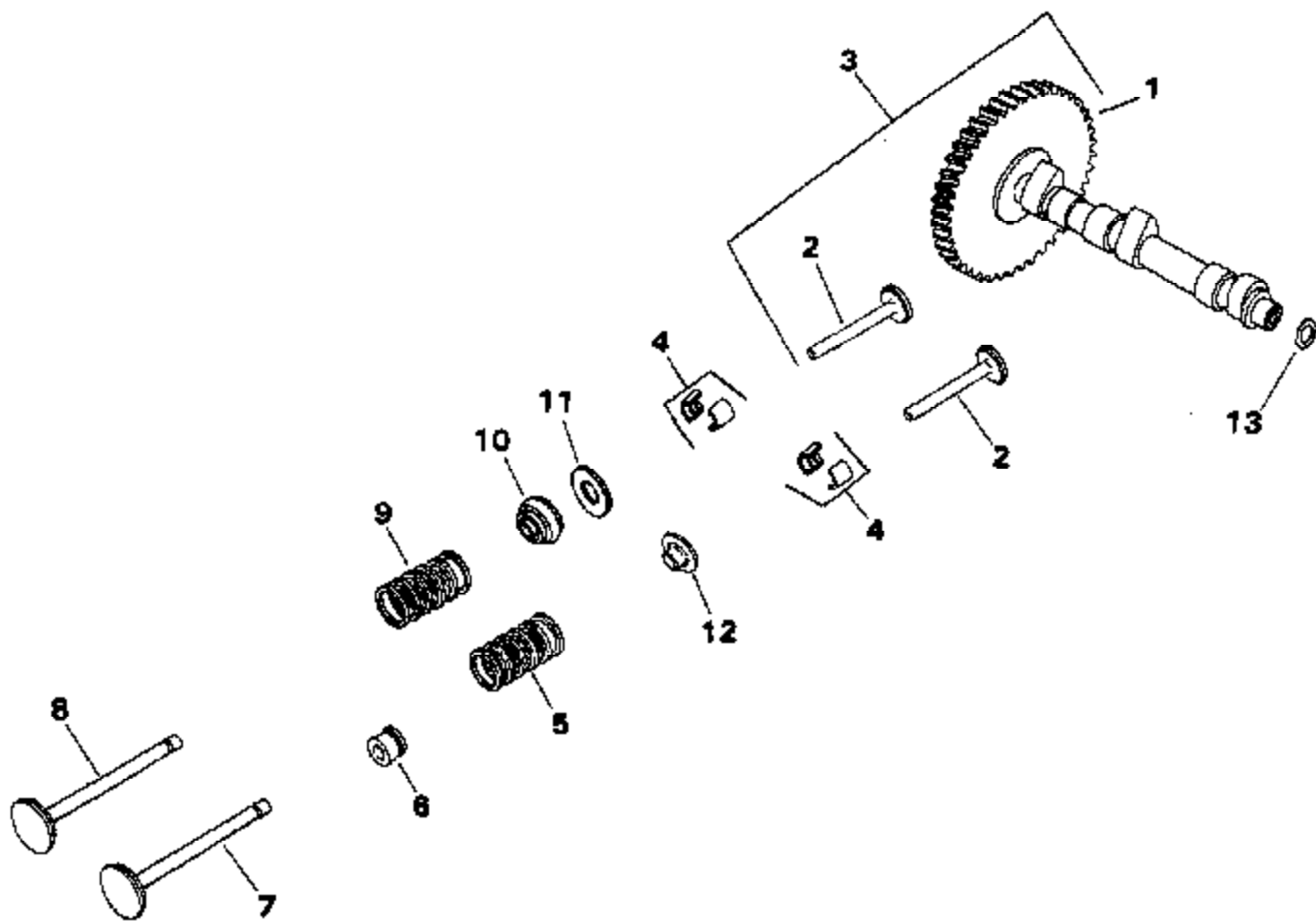
| Ref # | Part Number | Qty | Description |
|-------|-------------|-----|--|
| 7 | 52 124 23-S | 1 | Baffle, #1 cylinder head (6-1/8" wide with 3" wide rear cylinder baffle) |
| 10 | X-67-83-S | 20 | Screw, hex. wash. hd. 1/4-20x7/16" |
| 11 | 52 063 21-S | 1 | Baffle, #2 cylinder head (8-3/4" wide with 2-59/64" wide rear cylinder baffle) |
| 12 | 52 063 01-S | 1 | Baffle, fuel pump |
| 13 | 52 086 11-S | 2 | Screw, hex. wash. hd. 1/4-20x5/8" |
| 14 | 52 468 16-S | 2 | Washer, flat |
| 22 | 52 217 01-S | 1 | Bracket, upper housing |
| 27 | 52 755 70-S | 1 | Kit, blower housing Includes 10 [qty. 3],13 [qty. 2],14 [qty. 2],22 |

M18-24521 Page 4 of 40
 Baffles & Shroud



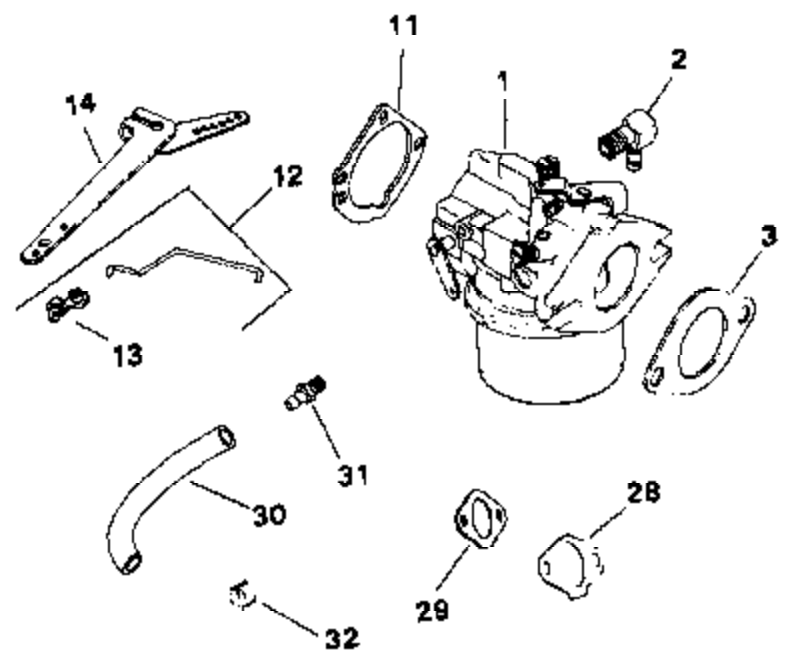
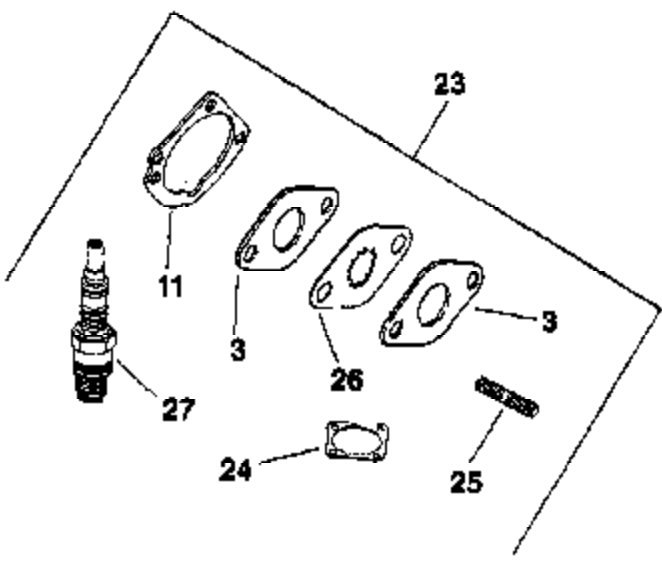
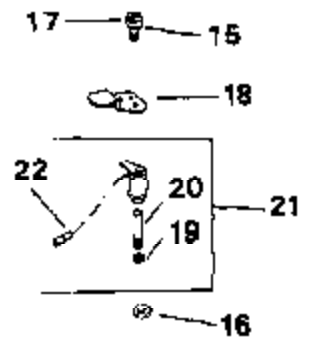
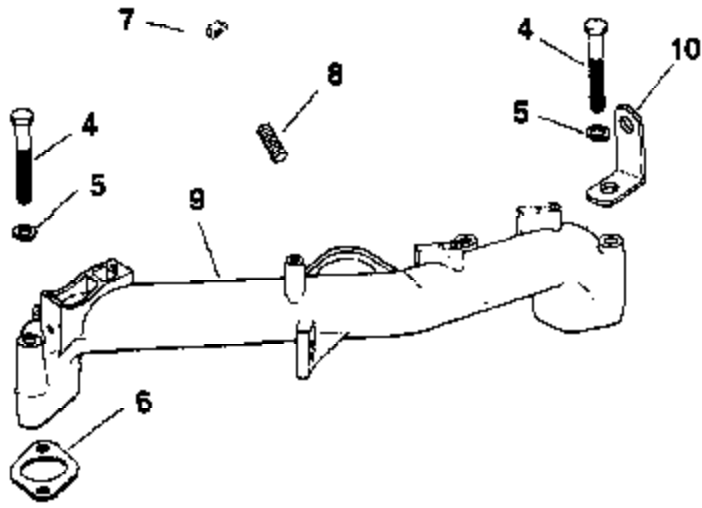
| Ref # | Part Number | Qty | Description |
|-------|-------------|-----|---|
| 1 | 52 326 06-S | 1 | Hose, breather 3-5/8" |
| 2 | X-81-1-S | 2 | Nut, hex. 1/4-20 |
| 3 | X-25-12-S | 2 | Washer, plain 1/4" |
| 4 | 52 096 08-S | 1 | Cover, #1 upper cylinder valve |
| 5 | 52 055 01-S | 3 | Gasket, valve cover |
| 6 | 231419-S | 1 | Filter, breather |
| 7 | 52 032 04-S | 1 | Seal, breather |
| 8 | 52 462 01 | 1 | Valve, umbrella |
| 9 | 52 096 22 | 1 | Cover, #1 lower cylinder valve |
| 10 | 275220-S | 1 | Stud, #1 cylinder valve cover - 1/4-20x3-1/4" |
| 11 | X-352-39-S | 1 | Stud, #2 cylinder valve cover - 1/4-20x2-1/4" |
| 12 | 52 096 18 | 1 | Cover, #2 cylinder valve |

M18-24521 Page 6 of 40
Breather & Vent



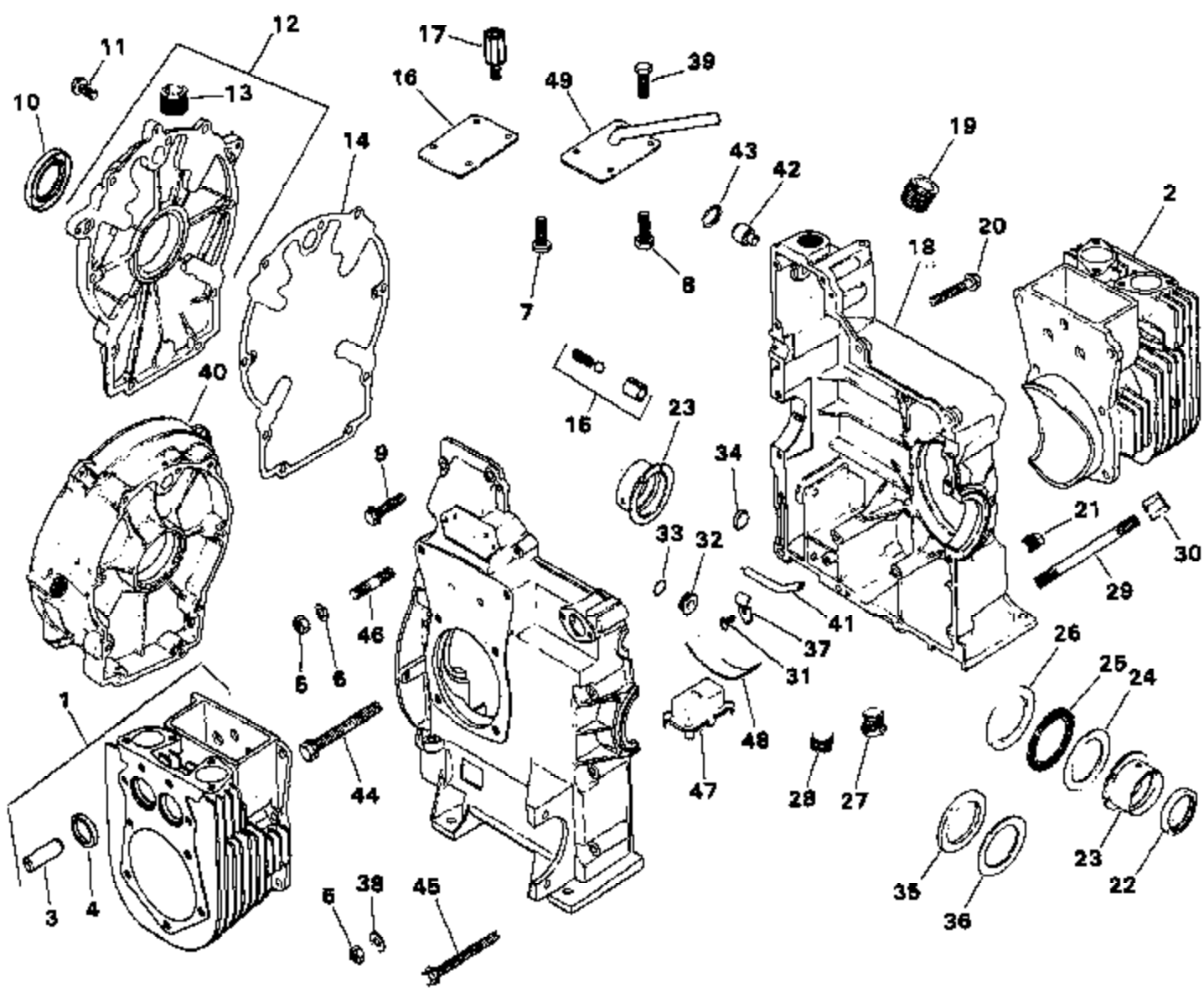
| Ref # | Part Number | Qty | Description |
|-------|-------------|-----|---|
| 3 | 82 755 13-S | 1 | Kit, camshaft Includes 1, 52 019 03-S [qty. 4] |
| 4 | 41 755 10-S | 4 | Kit, retainer |
| 5 | 25 089 01-S | 2 | Spring, intake valve |
| 6 | 52 032 13-S | 2 | Seal, intake valve stem |
| 7 | 52 017 08-S | 2 | Valve, intake |
| 8 | 82 755 11-S | 2 | Kit, exhaust valve Includes 52 031 01-S valve seat insert |
| 9 | 25 089 01-S | 2 | Spring, exhaust valve |
| 10 | 52 413 01-S | 2 | Rotator, .03" exhaust valve |
| 12 | 230011-S | 2 | Retainer, intake valve spring |

M18-24521 Page 8 of 40
Camshaft & Valves



| Ref # | Part Number | Qty | Description |
|-------|-------------|-----|---|
| 1 | 52 853 07 | 1 | Kit, fixed jet carburetor Includes 3,11-14, Carburetor assembly 52-053-26*, 52-053-31*, 52-053-36* (- or use -) |
| | 52 853 23-S | 1 | Kit, adjustable jet carburetor Includes 3,11-14, Carburetor assembly 52-053-50* or 52-053-66* |
| 2 | 25 155 02-S | 1 | Connector, 90ø hose For 1/4" I.D. rubber hose |
| 3 | 271030-S | 1 | Gasket, carburetor |
| 4 | X-6-8-S | 4 | Screw, H.C. 5/16-18x2-3/4" |
| 5 | X-21-1-S | 4 | Washer, lock 5/16" |
| 6 | 52 041 09-S | 2 | Gasket, intake manifold |
| 7 | X-77-2-S | 2 | Nut, hex. jam 5/16-18 |
| 8 | X-352-37-S | 2 | Stud 5/16-18x1" |
| 9 | 52 164 10-S | 1 | Manifold, intake |
| 10 | 52 445 02-S | 2 | Carburetor (Eq. 26) lifting strap |
| 11 | 25 041 06-S | 1 | Gasket, air cleaner |
| 12 | 82 755 07-S | 1 | Kit, governor linkage Includes 13 |
| 13 | 25 158 09 | 1 | Bushing Replaced by 25 158 11-S |
| 14 | 52 186 06-S | 1 | Arm, governor |

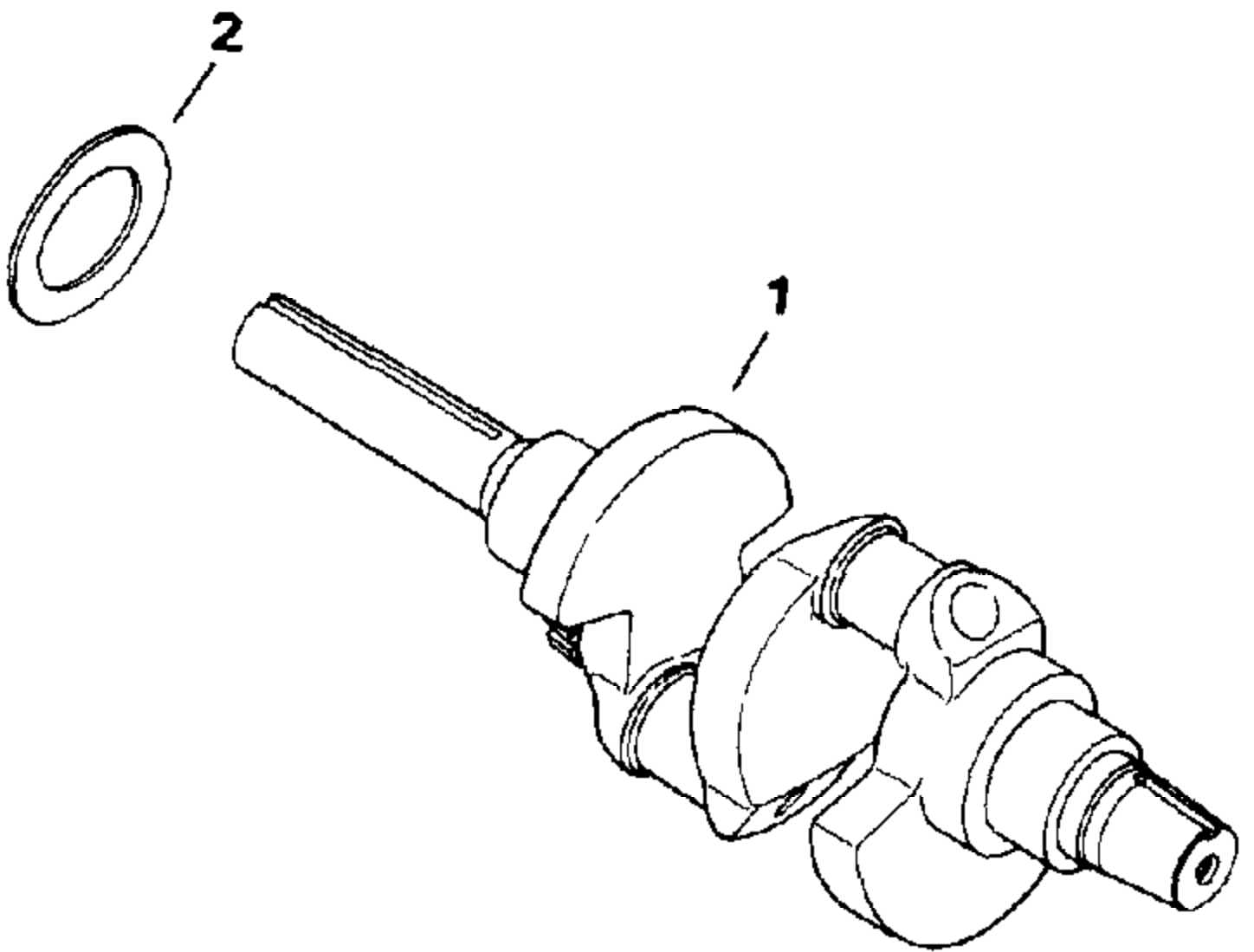
M18-24521 Page 10 of 40
 Carburetor (Eq. 26)



| Ref # | Part Number | Qty | Description |
|-------|-------------|-----|--|
| 1 | 82 755 16-S | 1 | Kit, cylinder barrel #1 Includes 3,4 and exhaust valve |
| 2 | 82 755 17-S | 1 | Kit, cylinder barrel #2 Includes 3,4 and exhaust valve |
| 3 | 52 316 06 | 4 | Guide, valve |
| 4 | 52 031 01-S | 4 | Insert, valve seat |
| 5 | X-82-2-S | 12 | Nut, hex. 5/16-18 |
| 6 | 52 468 12-S | 12 | Washer, flat 5/16" |
| 9 | 25 086 10-S | 3 | Screw, hex. flange 5/16-18x1-1/2" |
| 10 | X-583-5-S | 1 | Seal, rear oil 1-3/8" I.D. |
| 11 | X-802-9-S | 9 | Screw, hex. flange 5/16-18x1" |
| 12 | 52 755 56-S | 1 | Kit, closure plate Includes 13 |
| 13 | X-75-23-S | 1 | Plug, hex. ctsk. 1/8" N.P.T.F. |
| 15 | 52 755 50-S | 1 | Kit, oil relief Includes ball, spring & sleeve |
| 20 | 25 086 12-S | 2 | Screw, hex. flange 5/16-18x2" |
| 21 | X-75-10-S | 1 | Plug, solid sq. hd. 3/8" N.P.T.F. |
| 22 | 52 032 10-S | 1 | Seal, front oil |
| 23 | 52 030 10-S | 2 | Bearing, sleeve flange (Std.) |
| 23 | 52 030 11-S | 2 | Bearing, sleeve flange (.010) |
| 23 | 52 030 12-S | 2 | Bearing, sleeve flange (.020) |
| 28 | X-75-32-S | 2 | Plug, hex. ctsk. 3/8" N.P.T.F. |
| 31 | X-67-64-S | 1 | Screw, hex. wash. hd. 10-32x7/16" |
| 32 | 52 139 08-S | 1 | Plug 3/4" O.D. |
| 33 | 52 141 02-S | 1 | O-Ring |
| 34 | X-702-15-S | 1 | Plug, cup 5/16" |
| 37 | 52 237 05-S | 1 | Clamp, tube |
| 41 | 52 123 10 | 1 | Tube, oil pickup |
| 42 | 52 078 05-S | 1 | Shaft, governor |
| 43 | X-269-43-S | 1 | Ring, retaining |
| 44 | 25 086 13-S | 2 | Screw, hex. flange 3/8-16x3-5/8" |
| 45 | 25 086 11-S | 8 | Screw, hex. flange 5/16-18x3-1/2" |
| 46 | 52 072 12-S | 12 | Step stud 5/16-18x3/4", 3/8-16 x 5/8", 2" long |
| 47 | 52 095 03 | 1 | Housing, oil strainer |
| 48 | 52 237 02-S | 1 | Clamp, spring |

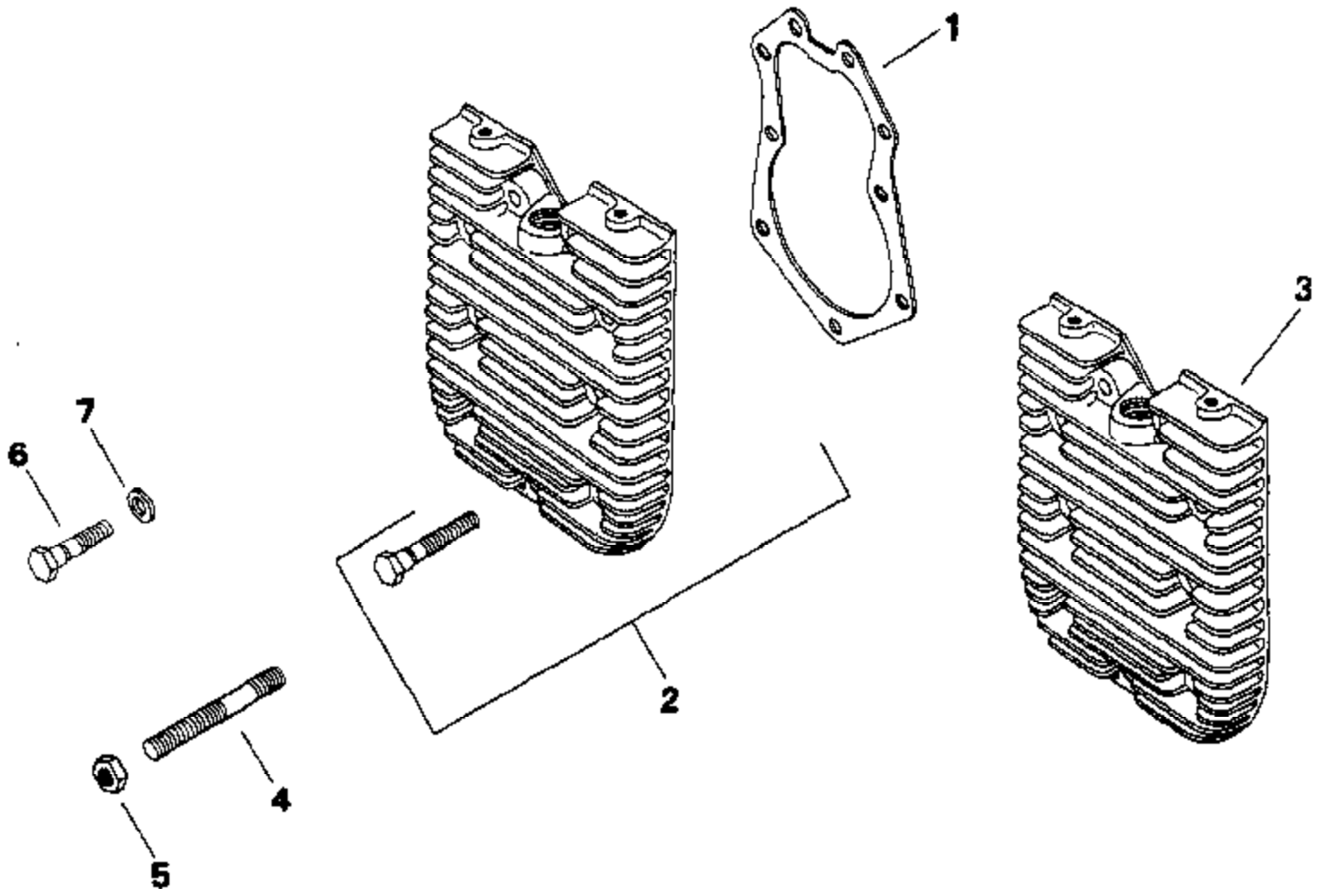
M18-24521
Crankcase

Page 12 of 40



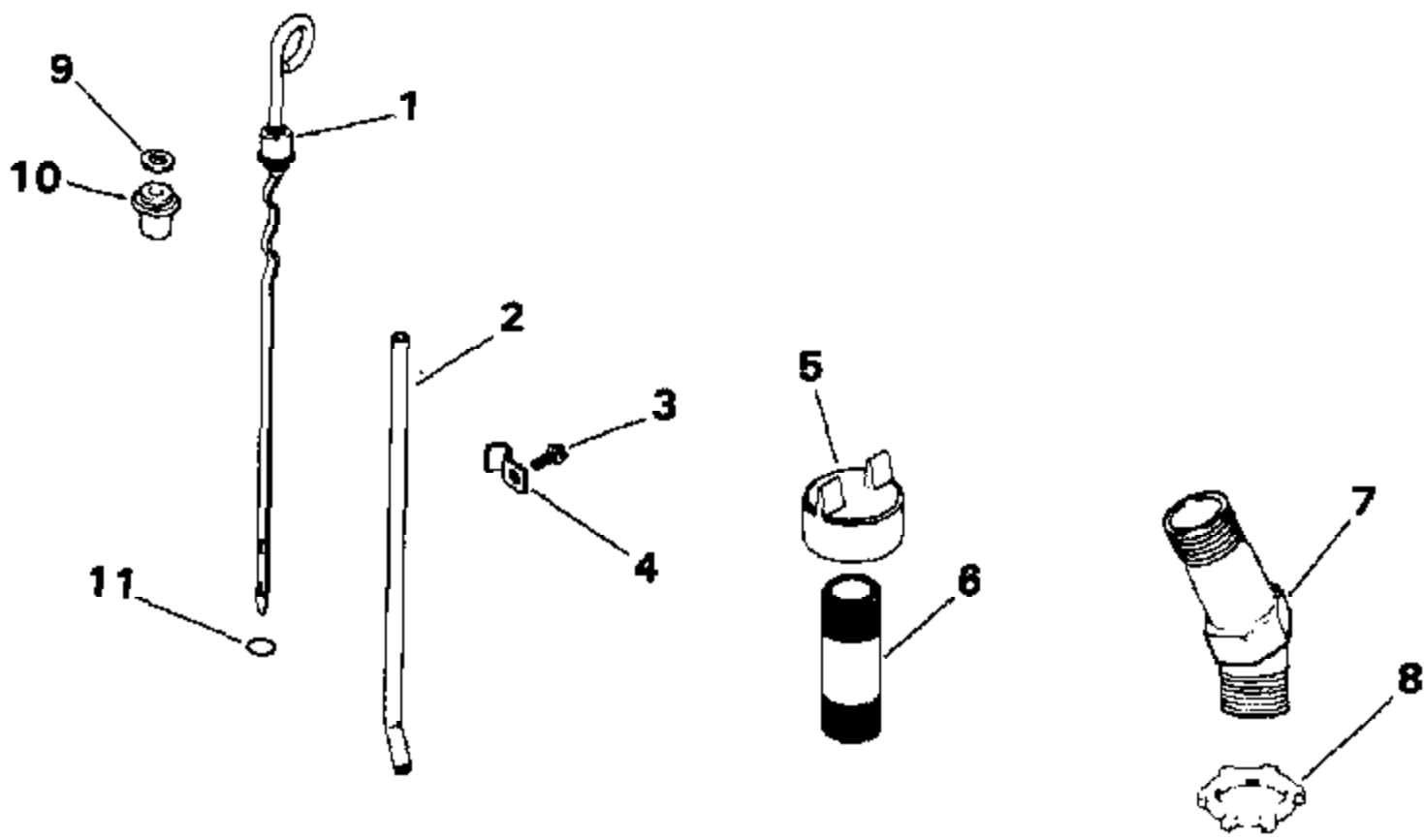
| Ref # | Part Number | Qty | Description |
|-------|-------------|------|--|
| 1 | 52 014 79-S | 1 | Crankshaft (1" dia. x 2-3/4" tapped PTO) |
| 2 | 52 468 03-S | A.R. | Washer, thrust .119/.122 |
| 2 | 52 468 04-S | A.R. | Washer, thrust .128/.131 |
| 2 | 52 468 05-S | A.R. | Washer, thrust .137/.140 |

M18-24521 Page 14 of 40
Crankshaft



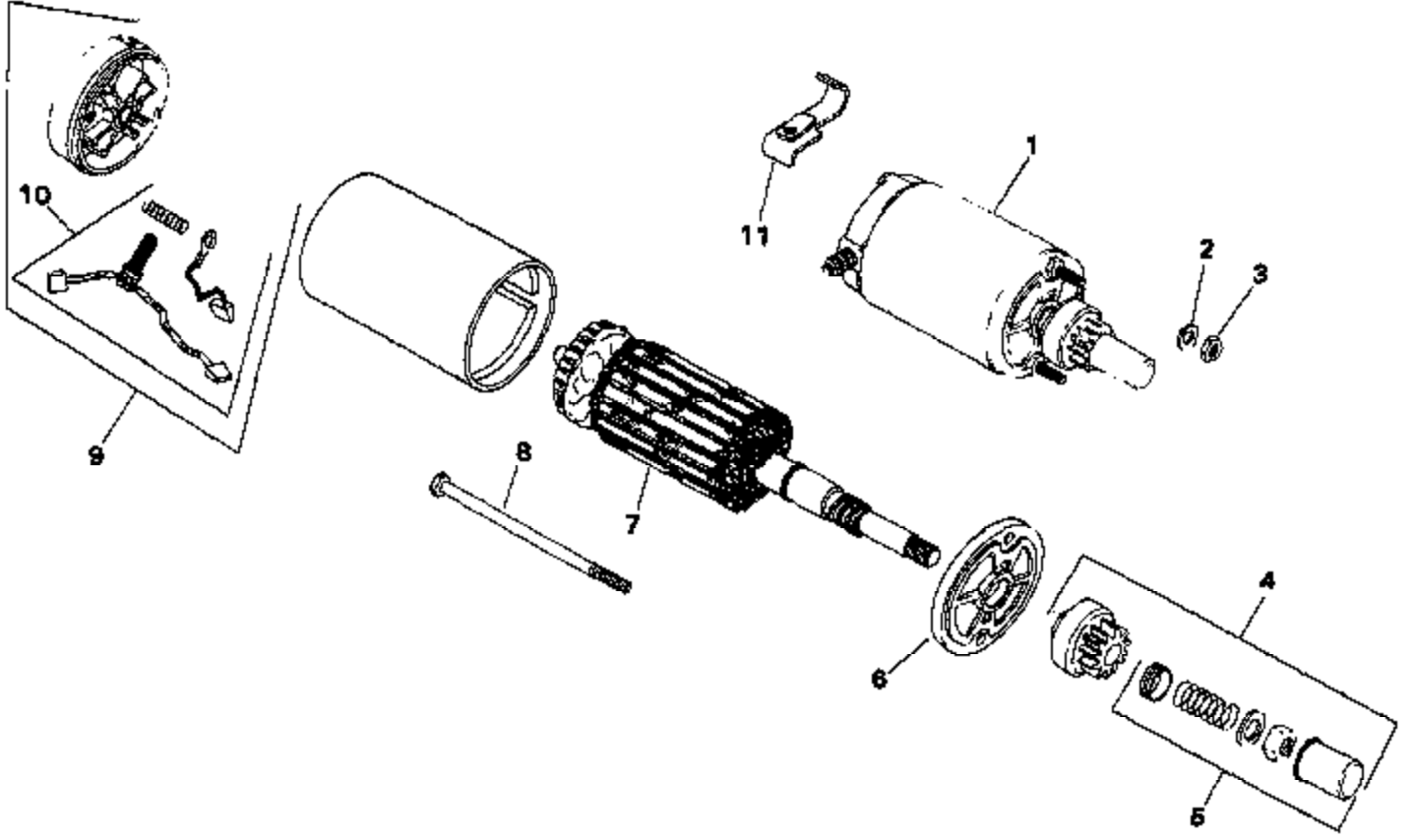
| Ref # | Part Number | Qty | Description |
|-------|-------------|-----|--------------------------------|
| 1 | 52 041 20-S | 2 | Gasket, cylinder head |
| 3 | 52 015 08-S | 2 | Head, cylinder |
| 6 | 41 086 02-S | 18 | Screw, hex. hd. 5/16-18x1-1/2" |
| 7 | 220534-S | 18 | Washer, plain 5/16" |

M18-24521 Page 16 of 40
Cylinder Head

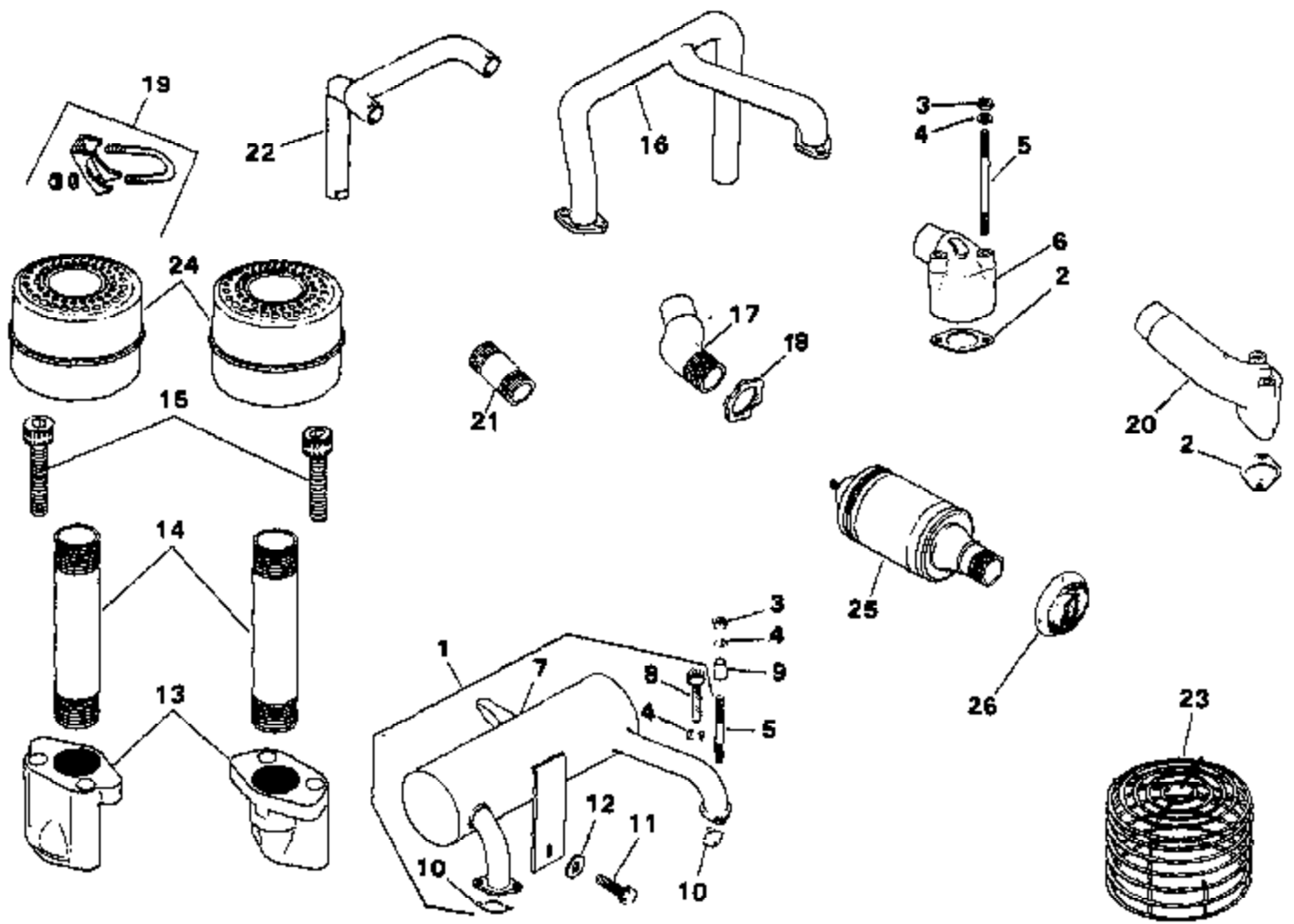


| Ref # | Part Number | Qty | Description |
|-------|-------------|-----|-----------------------------------|
| 1 | 52 038 04-S | 1 | Dipstick 11-5/16" blade |
| 2 | 52 123 09-S | 1 | Tube, oil level |
| 3 | X-67-64-S | 1 | Screw, hex. wash. hd. 10-32x7/16" |
| 4 | 52 154 01-S | 1 | Clip, tube |
| 5 | 52 173 01-S | 1 | Cap, pipe |
| 6 | 46 136 02-S | 1 | Pipe, 1" N.P.T.F. x 3" |

M18-24521 Page 18 of 40
Dipstick

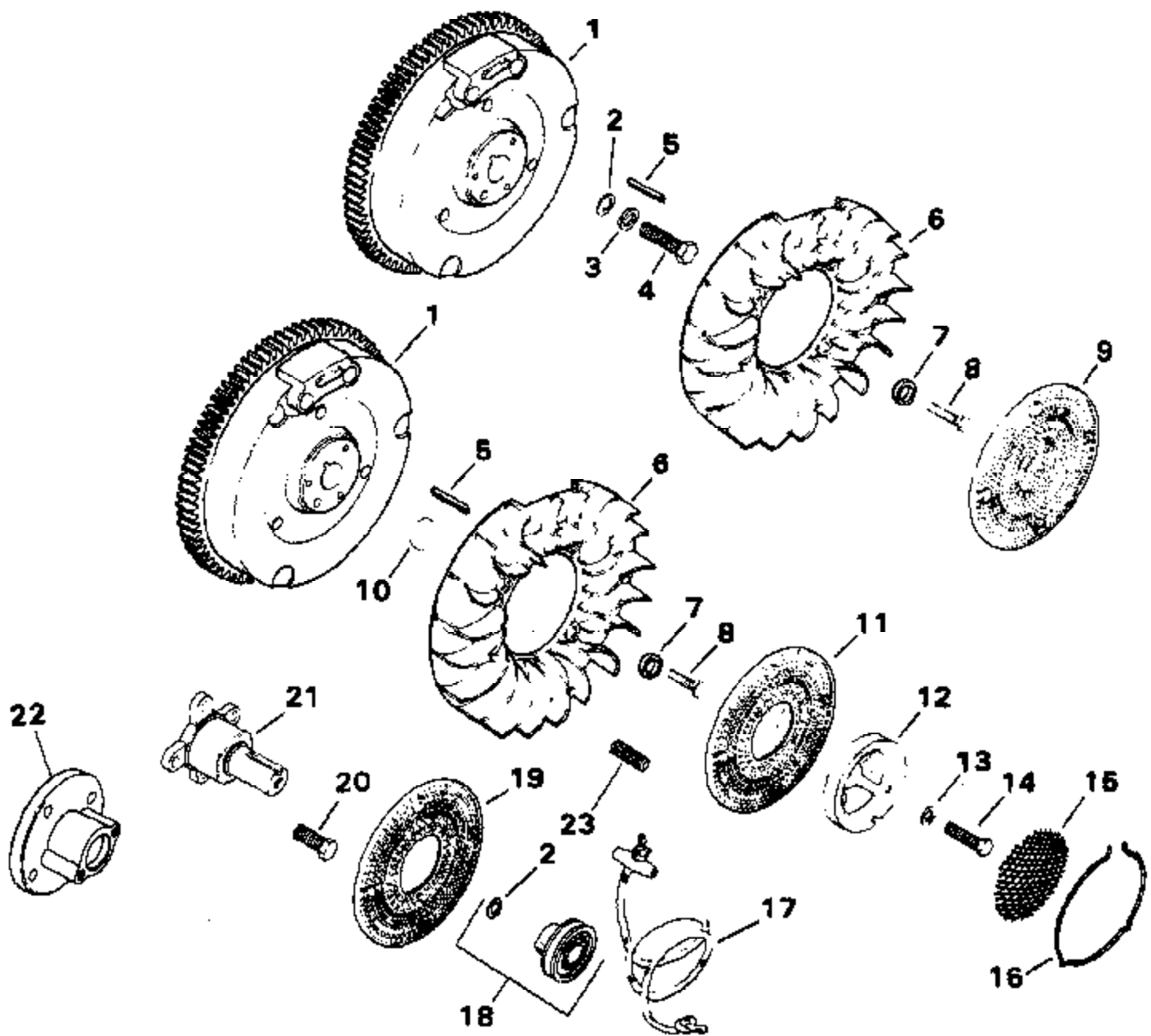


| Ref # | Part Number | Qty | Description |
|-------|-------------|-----|---|
| 1 | 52 098 03 | 1 | Starter assembly Includes 4-10 |
| 2 | X-20-1-S | 2 | Washer, lock 1/4" |
| 3 | X-81-1-S | 2 | Nut, hex. 1/4-20 |
| 4 | 52 755 05 | 1 | Kit, drive Includes 5 |
| 5 | 52 755 08 | 1 | Kit, drive parts |
| 6 | 52 227 01 | 1 | Cap, drive end |
| 7 | 52 170 02-S | 1 | Armature |
| 8 | 52 211 01-S | 2 | Bolt, thru 1/4-20x5-7/8" |
| 9 | 277612 | 1 | Cap assembly, commutator end Includes 10 |
| 10 | 48 755 15 | 1 | Kit, brush & spring Replaced by 52 755 15 |
| | 25 450 03-S | 1 | Tag, caution |
| | 52 357 01-S | 1 | Lubricant, starter |



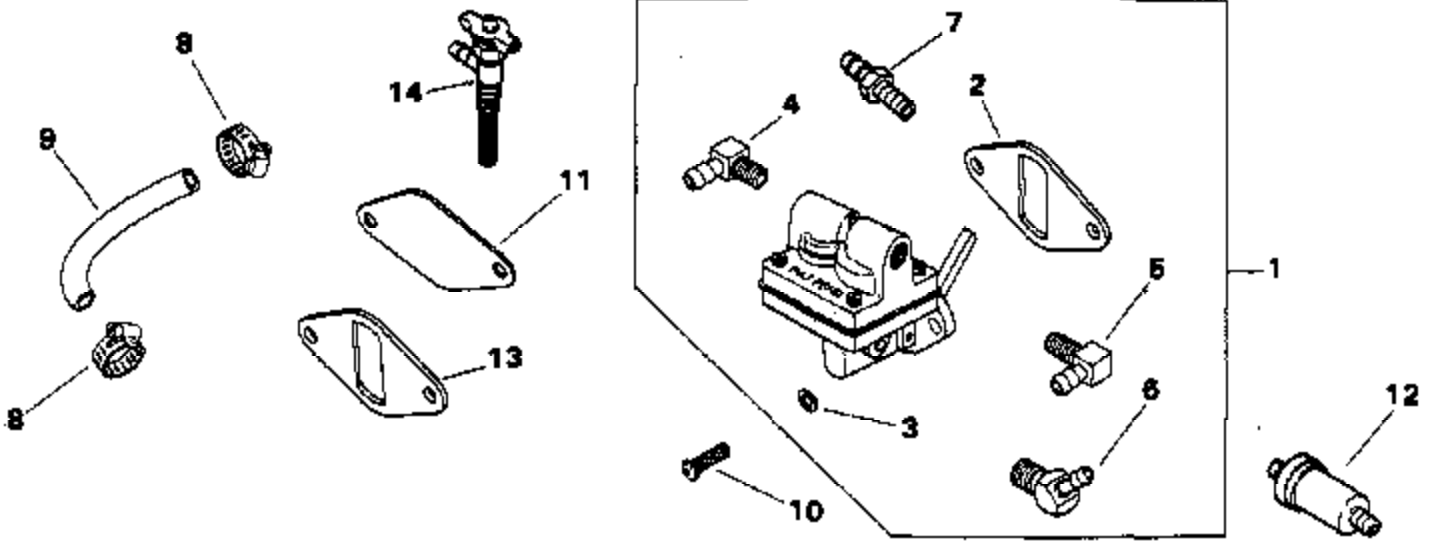
| Ref # | Part Number | Qty | Description |
|-------|-------------|-----|--------------------|
| 4 | X-21-1-S | 4 | Washer, lock 5/16" |
| 10 | 52 041 14-S | 2 | Gasket, exhaust |

M18-24521 Page 22 of 40
Exhaust



| Ref # | Part Number | Qty | Description |
|-------|-------------|-----|--|
| 1 | 52 025 36-S | 1 | Flywheel |
| 2 | 52 468 15-S | 1 | Washer, flat 3/8" I.D., 1-3/8" O.D. x 1/4" |
| 4 | 25 086 24-S | 1 | Screw, hex. mach. 3/8-24x1-1/4" |
| 5 | X-286-17-S | 1 | Key, square 7/8x3/16x3/16" |
| 6 | 25 157 01-S | 1 | Fan |
| 7 | 25 112 04-S | 4 | Spacer 1/8" |
| 8 | 25 086 21-S | 4 | Screw, hex. wash. hd. 1/4-20x5/8" |
| 11 | 25 162 02-S | 1 | Screen, grass 3-1/2" dia. hole |
| 20 | X-159-2-S | 4 | Screw, H.C. sems 3/8-16x1" |
| 22 | 237373 | 1 | Adapter, front drive |

M18-24521 Page 24 of 40
Flywheel



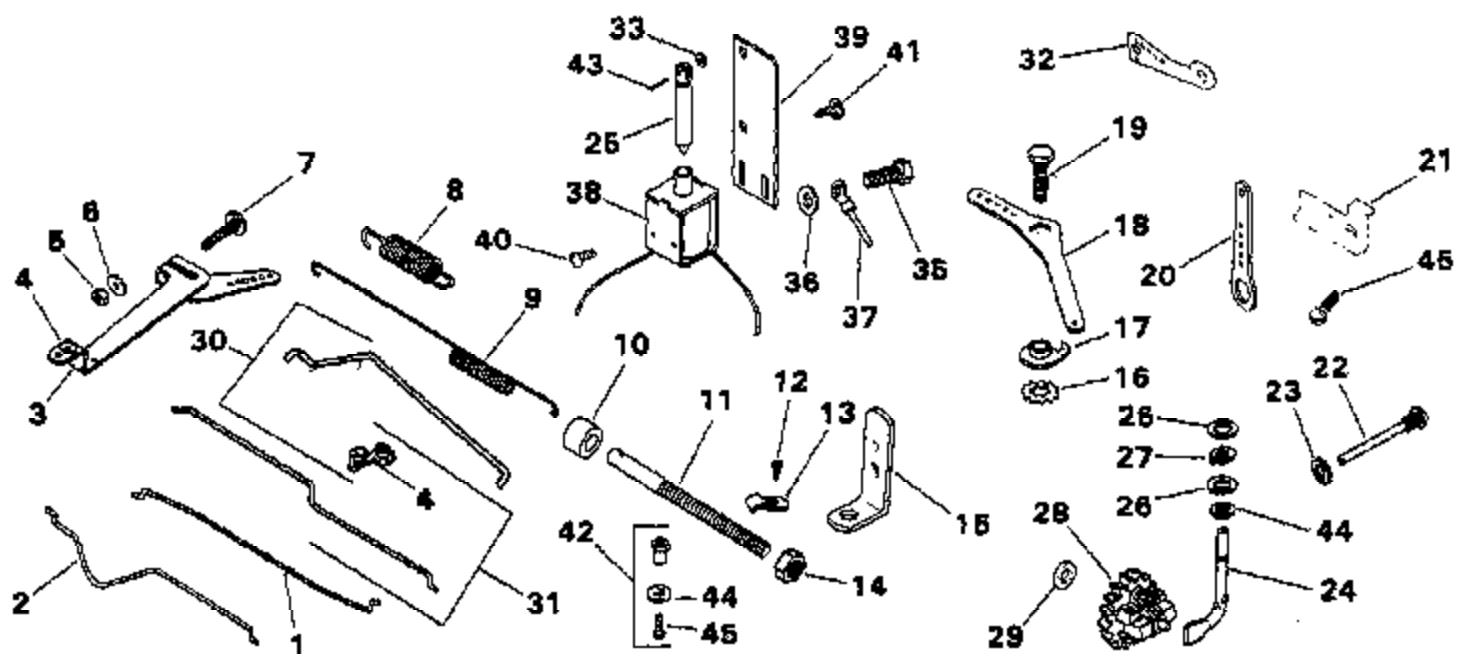
| Ref # | Part Number | Qty | Description |
|-------|-------------|-----|--|
| 1 | 52 559 01-S | 1 | Pump, fuel assembly (w/threaded fittings) Includes 2-7 |
| 2 | 25 041 09-S | 1 | Gasket, fuel pump |
| 3 | X-25-63-S | 2 | Washer, plain 1/4" |
| 5 | 25 155 02-S | 1 | Connector, 90 degree hose For 1/4" I.D. rubber hose |
| 7 | X-380-1-S | 1 | Connector, straight For 3/8" I.D. rubber hose |
| 8 | X-426-9-S | 2 | Clamp, hose 1/2" |
| 9 | 52 353 04-S | 1 | Line, fuel 6-3/4" |
| 10 | 47 086 08-S | 2 | Screw, pozidriv T.H. 1/4-20x5/8" |

M18-24521 Page 26 of 40
Fuel Pump (Threaded)

This group for this specification number does not currently have a supporting illustration.

| Ref # | Part Number | Qty | Description |
|-------|-------------|-----|------------------------------|
| | 52 755 94-S | 1 | GASKET SET |
| | X-583-5-S | 1 | Oil Seal |
| | 271030-S | 1 | Gasket, carburetor |
| | 25 041 06-S | 1 | Gasket, air cleaner elbow |
| | 25 041 05 | 1 | Gasket, fuel pump |
| | 52 032 04-S | 1 | Seal, breather |
| | 52 032 13-S | 2 | Seal, valve stem |
| | 52 032 08-S | 1 | Seal, oil rear - 1-1/2" O.D. |
| | 52 032 10-S | 2 | Seal, oil |
| | 52 041 15-S | 1 | Gasket, closure plate |
| | 52 041 09-S | 2 | Gasket, intake |
| | 52 041 10 | 2 | Gasket, exhaust |
| | 52 041 16-S | 1 | Gasket, oil filter cover |
| | 52 041 20-S | 2 | Gasket, cylinder head |
| | 52 055 01-S | 2 | Gasket, valve cover |
| | 52 055 04-S | 2 | Gasket, air cleaner |
| | 277093-S | 1 | Gasket, air cleaner |
| | 52 041 14-S | 2 | Gasket, exhaust |
| | 25 041 09-S | 1 | Gasket, fuel pump |

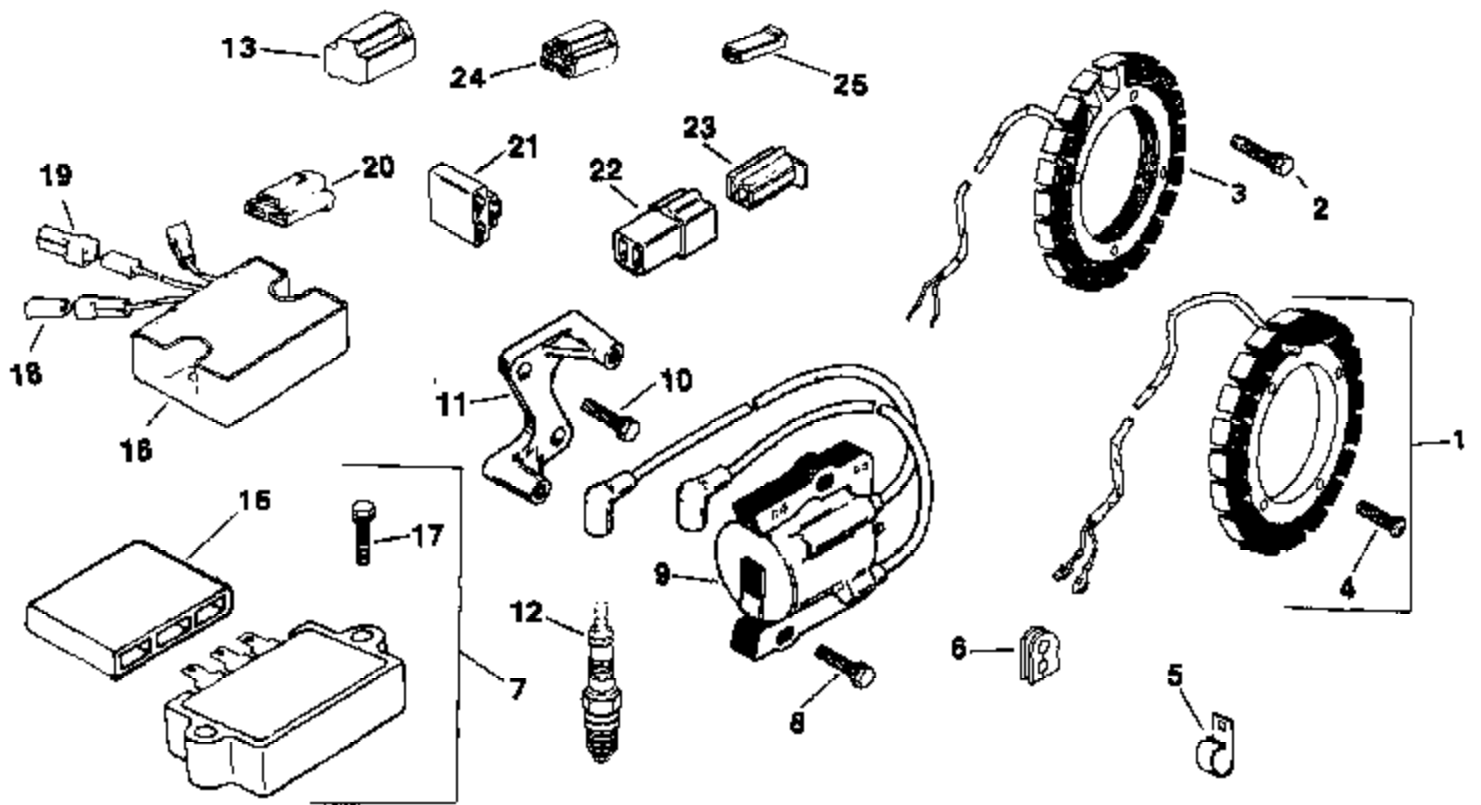
M18-24521
Gasket Set



| Ref # | Part Number | Qty | Description |
|-------|-------------|-----|--|
| 3 | 52 186 06-S | 1 | Arm, governor |
| 4 | 25 158 09 | 2 | Bushing, linkage Replaced by 25 158 11-S |
| 5 | X-81-1-S | 1 | Nut, hex. 1/4-20 |
| 6 | X-25-72-S | 1 | Washer, plain 1/4" |
| 7 | 52 211 04-S | 1 | Bolt, R.H. sq. neck 1/4-20x1" |
| 8 | 52 091 04-S | 1 | Spring, governor |
| 12 | X-67-97-S | 3 | Screw, hex. wash. hd. 10-24x3/8" |
| 13 | 235778-S | 2 | Clamp, cable |
| 17 | 234614-S | 1 | Stop, governor |
| 20 | 52 119 01-S | 1 | Lever, speed control |
| 21 | 52 531 02-S | 1 | Stop, high speed |
| 22 | 231355-S | 1 | Pin, governor stop |
| 23 | X-25-12-S | 1 | Washer, plain 1/4" |
| 24 | 52 078 04-S | 1 | Shaft, governor |
| 26 | X-25-63-S | 1 | Washer, plain 1/4" |
| 27 | X-269-28-S | 1 | Retainer, governor |
| 28 | A-235743-S | 1 | Kit, governor gear Includes 29 |
| 29 | 237022-S | 1 | Washer, thrust |
| 31 | 82 755 07-S | 1 | Kit, governor linkage Includes 4 |
| 39 | X-67-83-S | 1 | Screw, hex. wash. hd. 1/4-20x7/16" |
| 41 | 52 126 16-S | 1 | Bracket, extension |
| 44 | X-25-102-S | 2 | Washer, plain 1/4" |
| 45 | X-67-62-S | 1 | Screw, hex. wash. hd. 1/4-20x3/4" |

M18-24521
Governor

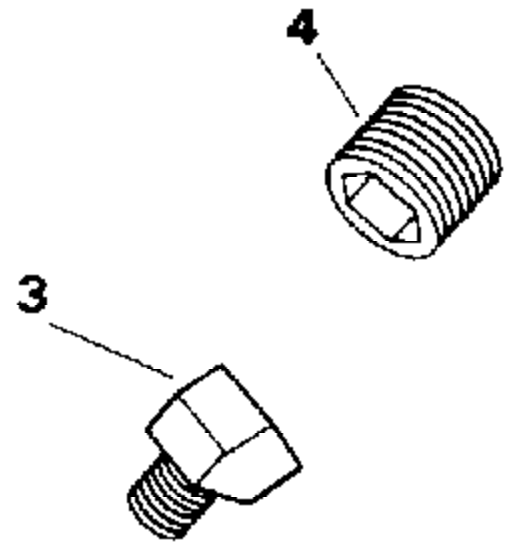
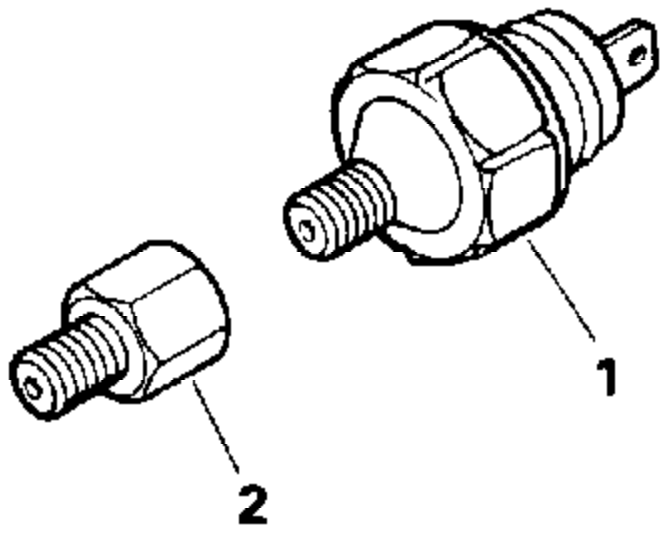
Page 30 of 40



| Ref # | Part Number | Qty | Description |
|-------|-------------|-----|---|
| 1 | 237878-S | 1 | Kit, stator (15 amp) Includes 4 and terminal 25 452 01-S |
| 2 | X-67-51-S | 4 | Screw, hex. wash. hd. 10-24x3/4" |
| 6 | 52 313 02-S | 1 | Grommet |
| 7 | 25 755 03-S | 1 | Kit, rectifier-regulator, 15 amp Includes 17 |
| 8 | 25 086 15-S | 2 | Screw, hex. wash. hd. 1/4-20x1" |
| 9 | 52 584 02-S | 1 | Module |
| 10 | 25 086 16-S | 2 | Screw, hex. wash. hd. 1/4-20x1" |
| 11 | 52 126 08-S | 1 | Bracket, module |
| 12 | 52 132 02-S | 2 | Spark plug (RV17YC) |
| 15 | 236602-S | 1 | Connector, female (3 contact) |
| 17 | X-132-5-S | 2 | Screw, H.C. sems 1/4-20x5/8" |
| | 25 518 05-S | 1 | Lead, black, rectifier-regulator (5" - 14 gauge - uninsulated push on tab terminals) (Not Illustrated) |
| | 52 518 17-S | 1 | Lead, white, module to connector (12-1/2" - 14 gauge - insulated push on tab - uninsulated push on tab) (Not Illustrated) |
| | 25 452 01-S | 1 | Terminal (Not Illustrated) |

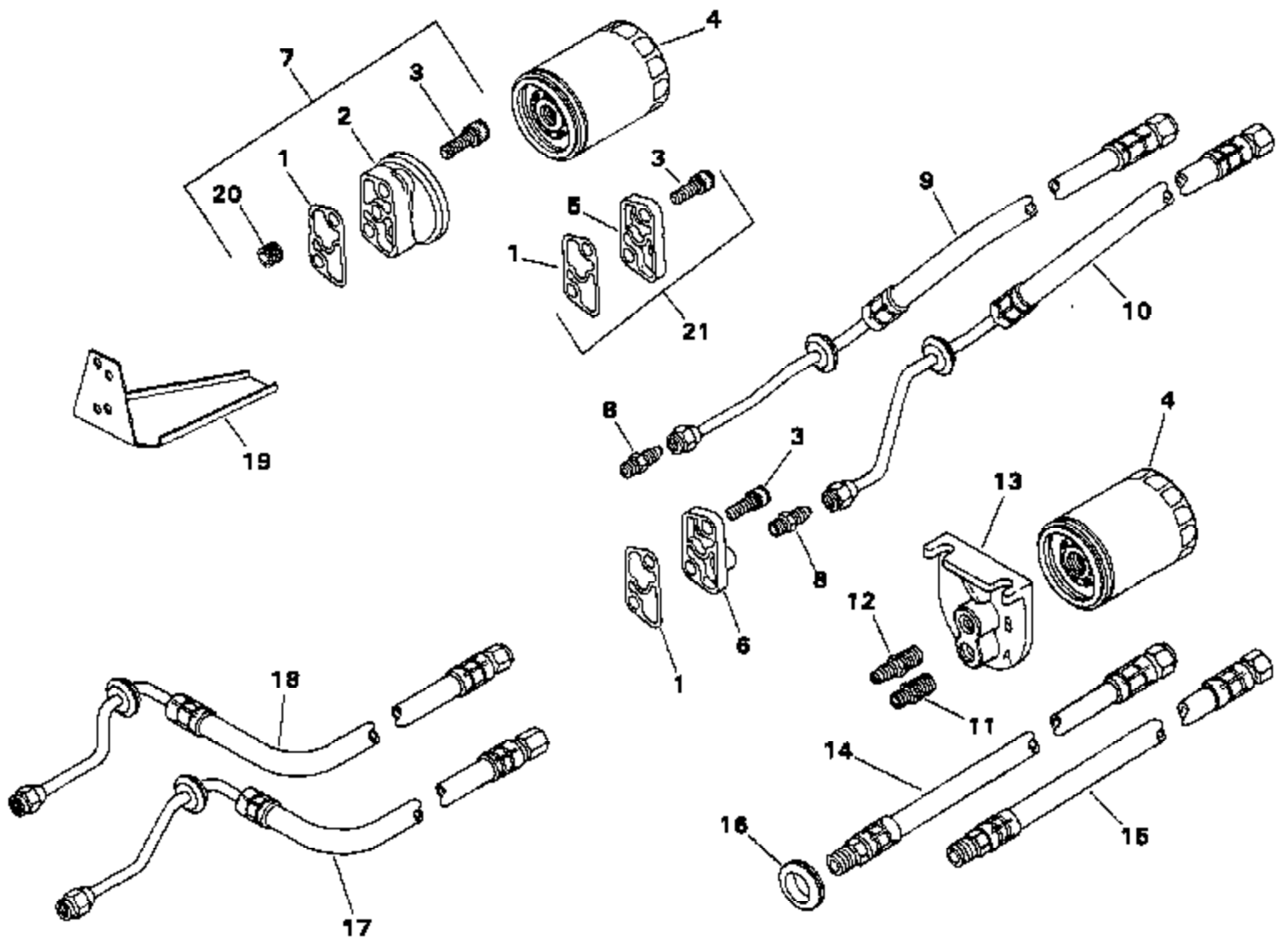
M18-24521
Ignition

Page 32 of 40



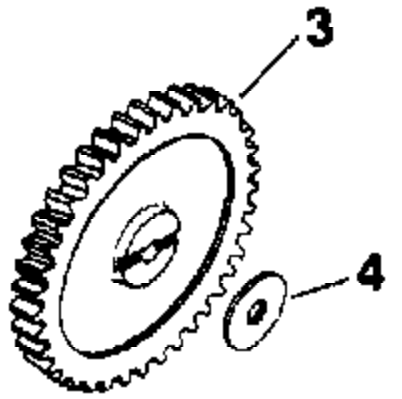
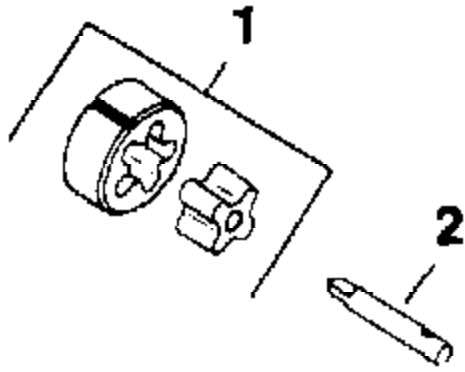
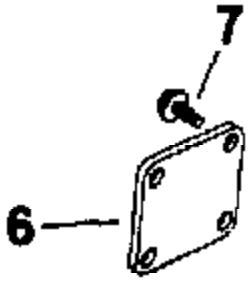
| Ref # | Part Number | Qty | Description |
|-------|-------------|-----|---|
| 1 | 52 099 06 | 1 | Switch, oil pressure |
| | 52 518 13-S | 1 | Lead, green, pressure switch (21" - 18 gauge - insulated push on tab and uninsulated push on tab terminals) (Not Illustrated) |
| | 25 113 05-S | 1 | Decal, oil sentry (Not Illustrated) |

M18-24521 Page 34 of 40
Low Oil Pressure Switch



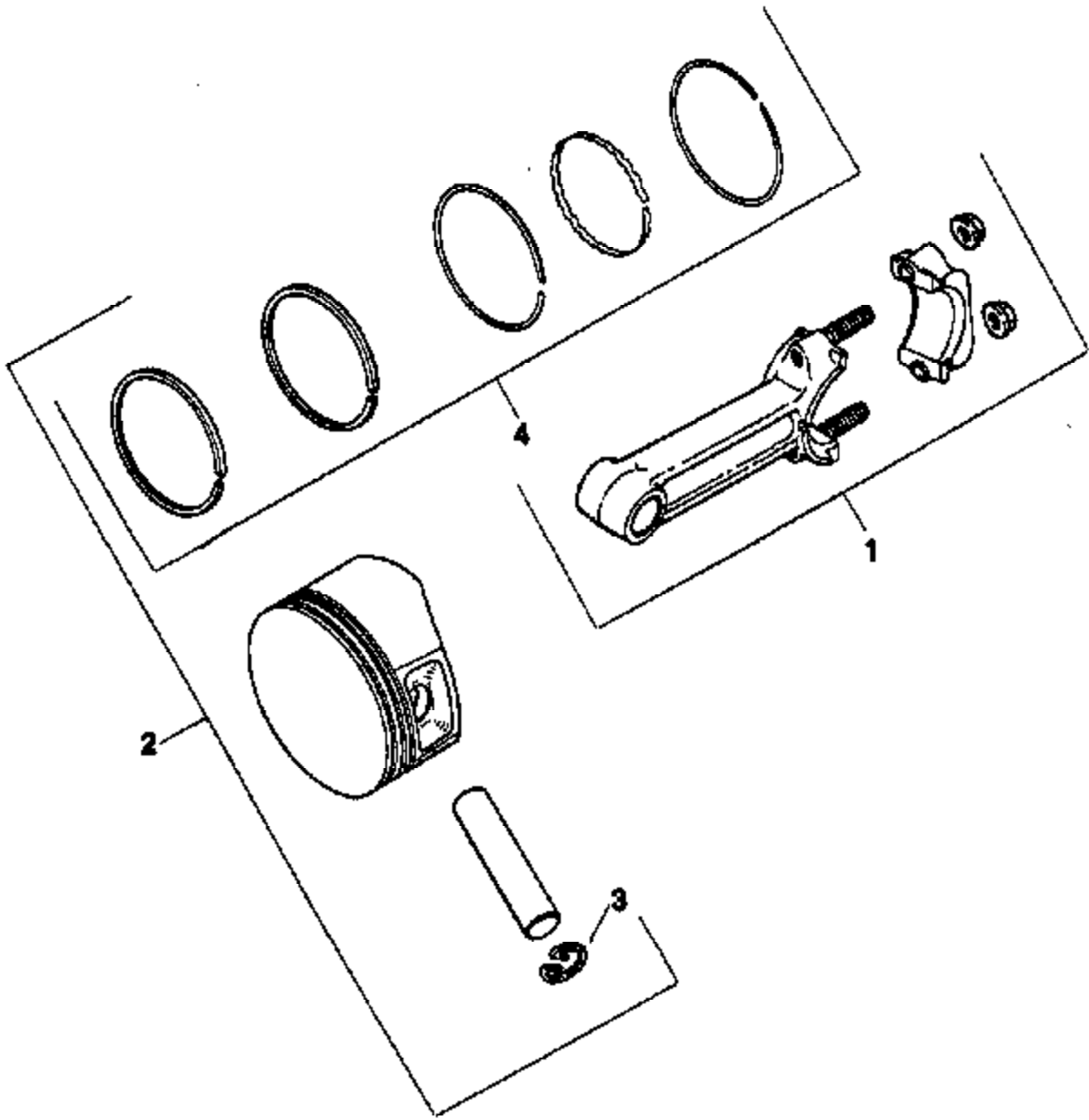
| Ref # | Part Number | Qty | Description |
|-------|--------------|-----|---|
| 1 | 52 041 16-S | 1 | Gasket |
| 2 | 52 181 03 | 1 | Adapter |
| 3 | X-55-15-S | 4 | Screw, hex. socket hd. cap 5/16-18x1-1/4" |
| 4 | 52 050 02-S1 | 1 | Oil filter |

M18-24521 Page 36 of 40
Oil Filter



| Ref # | Part Number | Qty | Description |
|-------|-------------|------|---|
| 1 | 52 393 09-S | 1 | Rotor Set |
| 2 | 52 144 05-S | 1 | Shaft, oil pump |
| 3 | 52 043 05-S | 1 | Gear, oil pump |
| 4 | 52 422 01-S | A.R. | Spacer A Maximum of two (2) will be needed. |
| 5 | X-280-25-S | 1 | Pin, roll |
| 6 | 52 096 03-S | 1 | Cover, oil pump |
| 7 | X-67-64-S | 4 | Screw, hex. wash. hd. 10-32x7/16" |

M18-24521 Page 38 of 40
Oil Pump



| Ref # | Part Number | Qty | Description |
|-------|-------------|-----|--------------------------|
| 1 | 52 067 67-S | 2 | Connecting Rod (Std.) |
| 1 | 52 067 68-S | 2 | Connecting Rod (.010) |
| 2 | 52 874 11-S | 1 | Piston w/Ring Set (Std.) |
| 2 | 52 874 12-S | 1 | Piston w/Ring Set (.003) |
| 2 | 52 874 13-S | 1 | Piston w/Ring Set (.010) |
| 2 | 52 874 14-S | 1 | Piston w/Ring Set (.020) |
| 2 | 52 874 15-S | 1 | Piston w/Ring Set (.030) |
| 3 | 230004-S | 4 | Retainer, piston pin |
| 4 | 52 108 09-S | 2 | Ring Set (Std. & .003) |
| 4 | 52 108 10-S | 2 | Ring Set (.010) |
| 4 | 52 108 11-S | 2 | Ring Set (.020) |
| 4 | 52 108 12-S | 2 | Ring Set (.030) |

M18-24521 Page 40 of 40
Piston & Rod