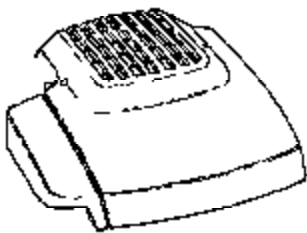


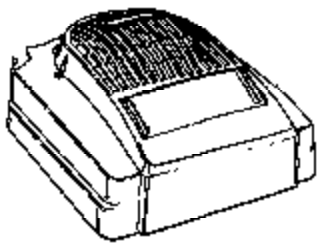



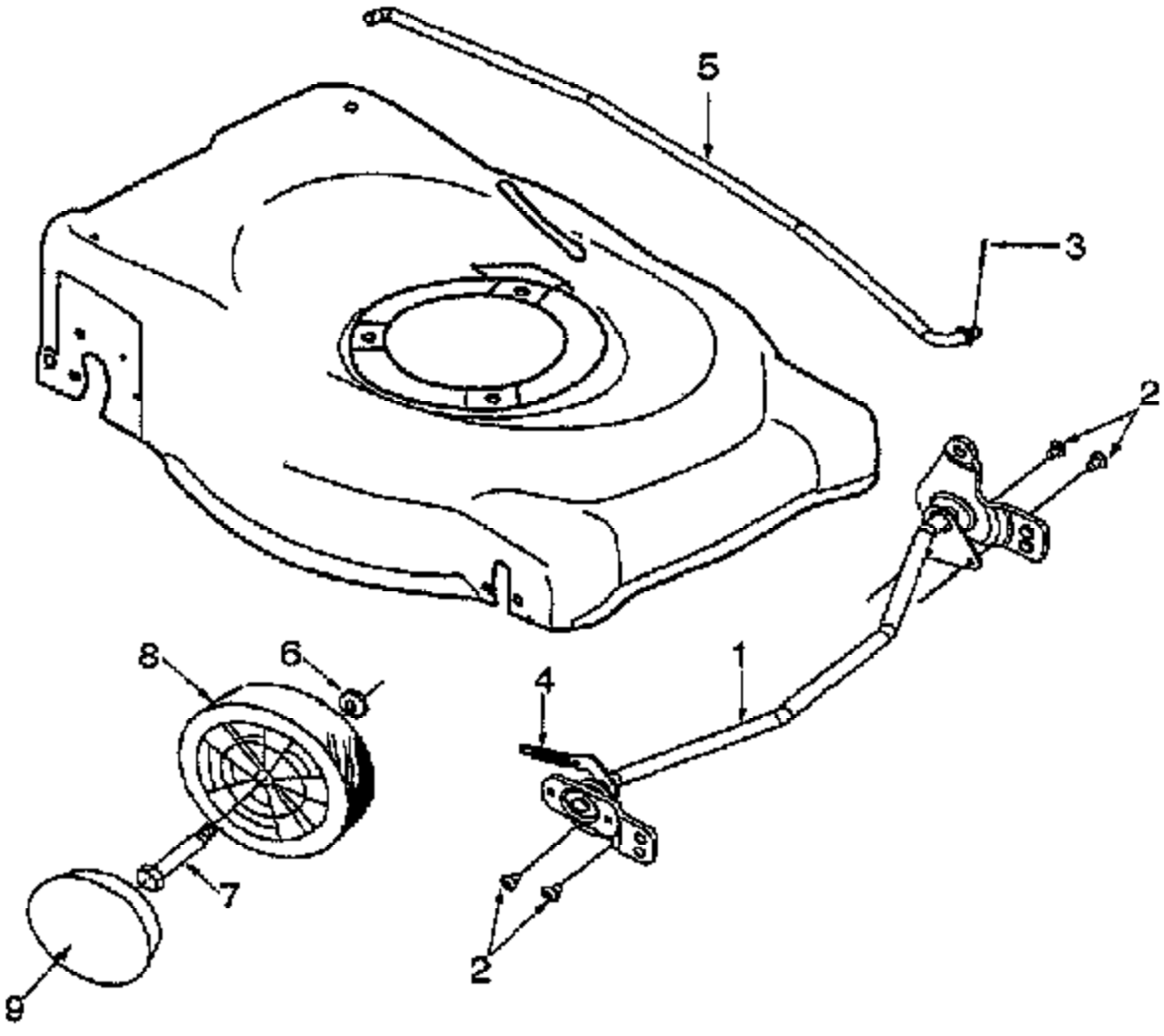
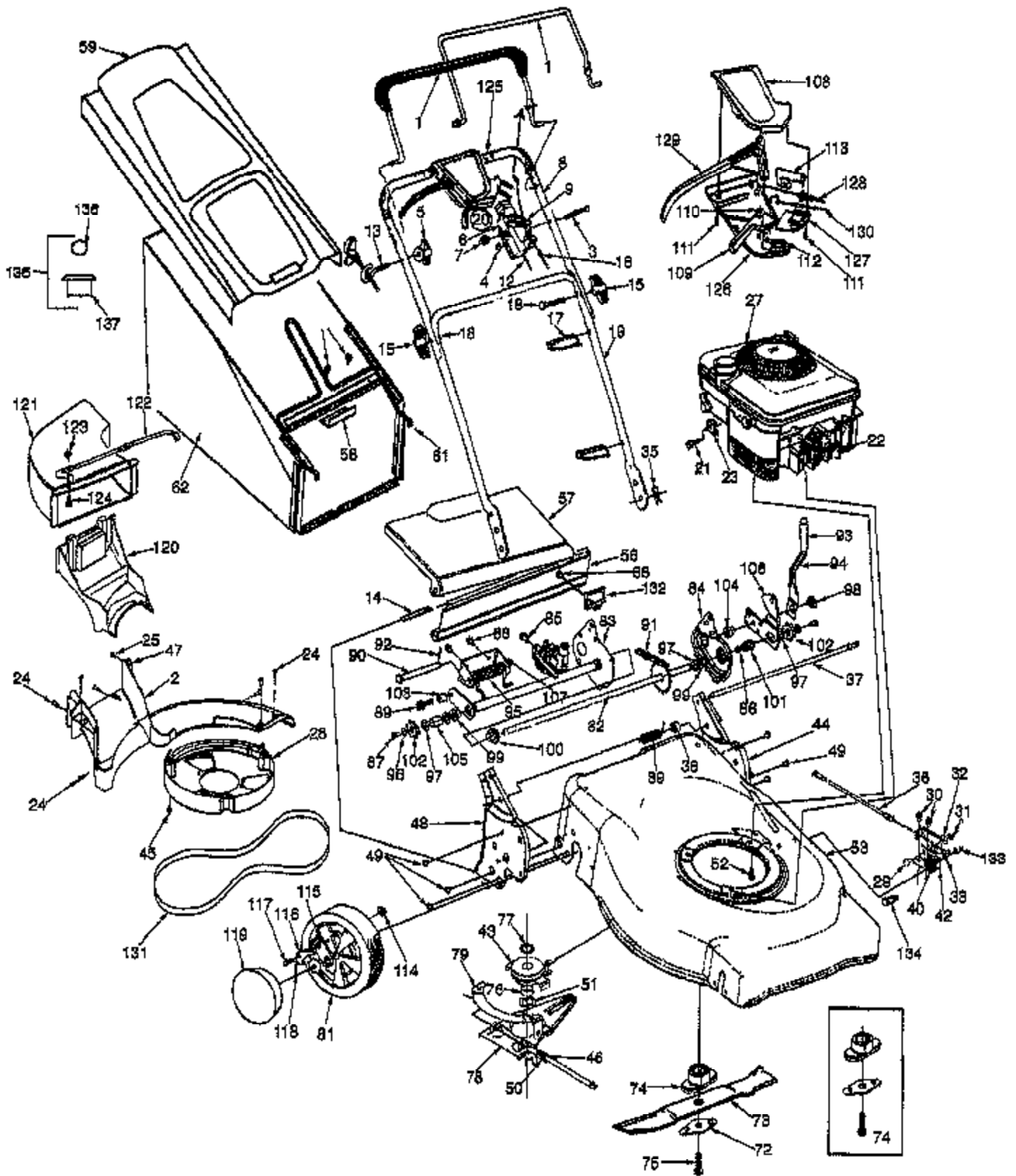
	
Part No. 751B281439 751B281440 751B281443	Color Dark Red Black Bright Red	Part No. 731-1395A 731-1396A 731-1397A	Color Red Black Gray	Part No. 731-1587A 731-1603A 731-1610A 731-1620A	Color Black Yellow Pewter Gray	Part No. 731-1561	Color Black
Hardware: 710-1256 (Screw)		Hardware: 710-1256 (Screw)		Hardware: 710-1184 (Screw)		Hardware: 7510042823 (Screw)	
							
Part No. 731-1402A 731-1694 731-1695 731-1934	Color Yellow Black Silver Charcoal	Part No. 7510143208	Color Black	Part No. 731-1585B	Color Black	Part No. 731-1586B 731-1612A	Color Black Red
Hardware: 710-1258 (Screw)		Hardware: 7510042823 (Screw)		Hardware: 710-1274 (Screw)		Hardware: 7510042823 (Screw)	
							
Part No. 751B281451	Color Gray	Part No. 751B281476 751B281777	Color Black Yellow	Part No. 7511681311 7511681911 7511682011	Color Black Red Gray	Part No.	Color
Hardware:710-1256		Hardware:710-1237		Hardware: - -		Hardware:	

Ref #	Part Number	Qty	Description
751B281439	751B281439		Dark Red
751B281440	751B281440		Black
751B281443	751B281443		Bright Red
710-1256	710-1256		(Screw) Hardware:
731-1395A	731-1395A		Red
731-1396A	731-1396A		Black
731-1397A	731-1397A		Gray
710-1256	710-1256		(Screw) Hardware:
731-1587A	731-1587A		Black
731-1603A	731-1603A		Yellow
731-1610A	731-1610A		Pewter
731-1620A	731-1620A		Gray
710-1184	710-1184	12A-3891013 (200)	(Screw) Hardware:
731-1561	731-1561	Engine Shrods	Black
7510042823	7510042823		(Screw) Hardware:
731-1402A	731-1402A		Yellow
731-1694	731-1694		Black
731-1695	731-1695		Silver
731-1934	731-1934		Charcoal
710-1258	710-1258		(Screw) Hardware:
7510143208	7510143208		Black
7510042823	7510042823		(Screw) Hardware:
731-1585B	731-1585B		Black
710-1274	710-1274		(Screw) Hardware:
731-1586B	731-1586B		Black
731-1612A	731-1612A		Red
7510042823	7510042823		(Screw) Hardware:
751B281451	751B281451		Gray
710-1256	710-1256		Hardware:
751B281476	751B281476		Black
751B281777	751B281777		Yellow
710-1237	710-1237		Hardware:
7511681311	7511681311		Black
7511681911	7511681911		Red
7511682011	7511682011		Gray



Ref #	Part Number	Qty	Description
1	611-0060		Axle Ass'y, Frt.
2	710-1348		AB Pan Scr. 1/4-14 x .50 Lg.
3	714-0104		Cotter Pin .072 x 1.12 Lg.
4	732-0820		Ext. Spring
5	747-0920A		Adj. Rod
6	736-0105		Spr. Washer
7	738-0102		Shl. Bolt .498 x 1.445 3/8-16
8			Wheel Ass'y - Complete See Wheel and Hub Cap
9			Hub Cap See Wheel and Hub Cap

12A-3891013 (2007) Page 4 of 10
Front Axle Assembly & Height

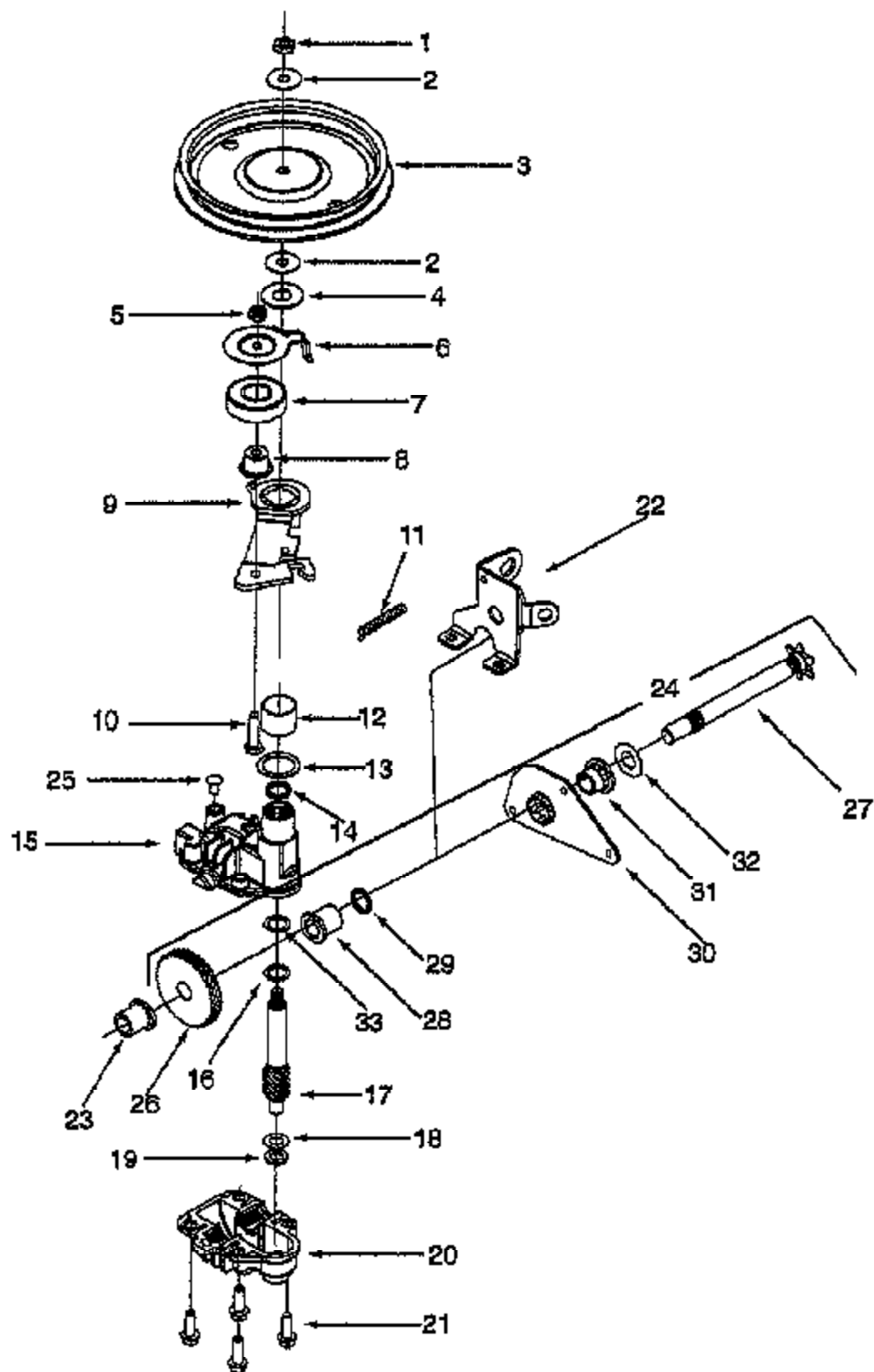


Ref #	Part Number	Qty	Description
1	747-0824		Control Handle Ass'y (Std)
	647-0004		Control Handle Ass'y (Deluxe)
2	731-1639		Baffle
3	710-0605		Oval C-Sunk Mach - Screw If Equipped
4	736-0501		Spring Washer .66" ID If Equipped
5	720-0279		Handle Knob 1/4-20 Thd.
6	646-0875		Throttle Housing If Equipped
	646-0876		Throttle Housing w/choke If Equipped; (Model 378Q)
7	712-0324		Hex L-Nut 1/4-20
8	749-0439C		Upper Handle
9	746-0876		Throttle Lever If Equipped
12	746-0843		Throttle Control Wire-55" If Equipped
	746-0848		Throttle Control Wire-47" If Equipped
	746-1115		Throttle Control Wire-47" If Equipped; (Model 378Q only)
	746-0841		Throttle Control Wire-60" If Equipped
13	710-1205		Rope Guide
14	732-0700		Wire-47" Lg.
15	720-0276		Hand Knob
16	746-0554		Control Cable-40.5"
	746-0555		Control Cable-55"
	746-0556		Control Cable-45"
	746-0557		Control Cable-47"
17	726-0240		Cable Tie
18	710-1174		Curved Hd. Bolt 5/16-18x2" Lg.
19	749-0907A		Lower Handle
20	811-00185		Throttle Assy Comp (Incl. 3,4,6,7,9); If Equipped
	811-00748		Throttle Assy Comp (Model 378Q)
21	710-1237		Hex Self-Tap Scr. #10-32 x .62" Lg. (B&S) If Equipped
	710-0871		Hex Sems Scr. #10-32 x .3" Lg.(Tec.) If Equipped
22	735-0639		Spark Plug Boot
23	751B213146		Cable Clamp (B&S) If Equipped
	7510007775		Cable Clamp (Tec.) If Equipped
24	710-1220		Screw H.L. 12-24
25	710-0351		Screw Mach. B Tapp.
27			Engine
28	731-1714A		Belt Cover
29	710-0167		Scr. 1/4-20: .50 Lg.
30	710-0896		Scr.:AB 1/4-20: .625 Lg.
31	712-0287		Hex Nut: 1/4-20
32	736-0270		Bell Wash. .265 x .75 x .062
33	736-0329		Lock Wash. 1/4
35	714-0104		Int. Cotter Pin 5/15" Dia.
36			UNKNOWN
37	747-0922		Pivot Rod
38	750-1068		Shoulder Spacer
39	732-0809		Torsion Spring L.H.
40	756-0625		Roller Cable
41	782-7574		6 Sp. Cable Adj. Bracket
42	782-7575		6 Sp. Cable Mtg. Bracket
43	656-0613		Pulley Assembly
44	782-3029		Handle Brkt. Ass'y - L.H.
45	710-0653		Screw, Tap 1/4-20
46	711-1114		Pivot Shaft
47	712-0400		U-Nut
48	782-3030		Handle Brkt. Ass'y- R.H.
49	710-1348		Screw AB 1/4-20

12A-3891013 (2001) p. 6 of 10
General Assembly

Ref #	Part Number	Qty	Description
50	732-0807		Torsion Spring
51	736-0526		Wv.Wash.1.38 O.D. x .88 I.D.:029
52	710-0654A		Hx L-Wash Hd. Scr. 3/8-16 : 1" Lg.
53	682-0037A		21" Deck Ass'y w/Icon
	682-0075A		21" Deck Ass'y w/o Icon
56	731-1236		Rear Flap 17.77 Lg.
57	782-7599A		Rear Chute Door
58	782-9050		Brkt. Mtg. Grassbag - Black
59	731-0068		Hdtop Bag Cover
	731-1769		Hdtop Bag Cover w/MTD Logo
61	747-0919		Catcher Frame
62	664-0080		Grass Bag - Black
	664-0079	12A-3891013 (2009) 7 of 10	Grassbag - Soft top w/ Logo
72	736-0524A	General Assembly	Blade Bell Support
73	742-0741		21" Mulching Blade w/Star
74	753-0609		Blade Adaptor Kit w/Star
75	710-1257		Hex Bolt 3/8-24 x 2.5 Lg.
76	750-1070		Spacer - Sleeve
77	750-1071		Spacer - Sleeve
78	782-7596		6 Sp. Control Arm
79	782-7597		6 Sp. Pivot Bracket
81			Wheel Assembly
	634-0020		8" x 1.75" Bar Tread Front and Rear Wheels
	734-1268		8" x 1.75" "T" Tread Front Wheels
	734-1412		8" x 1.75" "T" Tread Rear Wheels
	734-1821		8" x 2" "S" Wave Front Wheels
	734-1826		8" x 2" "S" Wave Front and Rear Wheels
	734-1978		8" x 2" Link Tread Front Wheels
	734-1979		8" x 2" Link Tread Rear Wheels
	734-2004		8" x 2 1/8 Zag Tread Front Wheels
	734-2005		8" x 2 1/8 Zag Tread Rear Wheels
82	638-0005		Axle Ass'y: RR
83	682-7518		Axle Ass'y: Trans.
84	682-7524		Cover Ass'y - Chain
85	710-0604A		Scr. TT 5/16-18
86	710-0653		Scr. TT 1/4-20
87	710-0751		Hx Cap Screw 1/4-20
88	710-0896		Scr. AB 1/4-20
89	710-1315		Scr 3/8-16 x 1.25
90	711-0835		Pin - Clv. .500 Dia. x .462 Lg.
91	713-0421		Chain: Endless 48:.500P x 22L
92	714-0474		Pin-Cotter. 125 O.D. x .75
93	720-0230		Grip-Foam
94	732-0803A		Spring Lever
95	732-0818		Torsn Spring
96	736-0270		Bell Washer.265 x .75 x .062
97	736-0369		Wash.-Fl.508 I.D. x 1.0 O.D. x.020
98	738-0529		Nut- Shoulder .625 x .165Lg.
99	741-0324		Bearing-Flg Hex
100	741-0522		Bearing-Flg. Hex
101	741-0978		Bearing-Sleeve
102	748-0318		Rachet Wheel
103	750-0807		Spacer - .385 x .625 x .700
104	750-1056		Spacer-Shoulder .385 I.D.x .715Lg.
105	750-1075		Spacer Sleeve .520 I.D. x .950 Lg.
106	782-0566B		Pivot Arm

Ref #	Part Number	Qty	Description
107	782-0568		Spring Bracket
108	731-0904		Upper Control Housing
109	731-0924		6 Speed Shift Lever
110	713-0397		Gear Insert
111	710-0841		C-Sunk Tap Scr. #10 x .75" Lg.
112	732-0627		Shift Lever Spring
113	16864		6 Sp. Rack Cable Bracket
114	712-0414		Weld Top L. 1/4-20
115	16855		Pawl Plate
116	748-0381		Pawl R.H.
	748-0188B		Pawl L.H. (Not Shown)
117	738-0137A		Shldr. Scr. .340 x .285
118	10622B	12A-3891013	Spring Bracket
119		3200908	General Assembly
	720-0249		Hub Cap, Gray (3-1/2" Dia.) Optional
	731-0354		Hub Cap, Black (4-1/4" Dia.) Optional
	731-0355A		Hub Cap, Gray (4-1/4" Dia.) Optional
	731-0981A		Hub Cap, Gray (5-1/2" Dia.) Optional
	731-1426		Hub Cap, Yellow (5-1/2" Dia.) Optional
120	731-1685		Mulch Plug
121	731-1461		Chute Deflector
122	747-0958		Chute Mounting Rod
123	712-0324		Hex-L-Nut 1/4-20 thd.
124	710-0924		Mach. Scr. 1/4-20
125	720-0294		Foam Grip (Optional)
126	731-0905		Lower Control Housing
127	731-0906		Cable Mounting Cap
128	746-0711A		S. P. Cable
129	731-0620		Control Lever
130	746-0939		6 Speed Cable - 53" Lg.
131	754-0271		Belt
132	782-7018		Pulley Cover
133	712-0138		Nut 1/4-28
134	738-0924		Sh. Scr. 1/4-28:.375 Lg.
135			UNKNOWN
136			UNKNOWN
137			UNKNOWN
138	710-0896		Hex Washer Screw 1/4-20 x .625
139	746-0883		Housing (w/o Throttle)
140	710-1270		Screw 1/4-20 x 20
141	750-1260		Spacer (Model 388Q Only)



Ref #	Part Number	Qty	Description
1	712-3025		Hx. Jam Nut 5/16-24
2	736-0425		Bell Wash. .325 x .930 x .045
3	756-0656		Pulley
4	736-3084		Fl. Wash. .510 x 1.120 x .060
5	712-0896		Hx. Jam Nut 1/4-28
6	782-7598		Belt Keeper
7	741-0600		Bearing
8	750-1050		Flange Spacer
9	682-0027A		Idler Bracket Ass'y.
10	710-0299		Hx. Cap Scr. 1/4-28 x 1.00 Gr. 5
11	732-0849A		Torsion Spring
12	741-0682A		Bearing Sleeve
13	736-0570	12A-3891013 (200) 10 of 10	Fl. Wash. .885 x 1.145 x .030
14	721-0329		Transmission Assembly Oil Seal
15	618-0253		Upper Housing Ass'y.
16	736-0616		Fl. Wash. .504 x .700 x .030
17	717-1487		Pinion Shaft 10 T
18	736-0314		Thr. Wash. 3/8 x .70 x .030
19	736-0569		Thr. Wash. .388 x .625 x .062
20	618-0252		Lower Housing Ass'y.
21	710-0642		Hx. Scr. 1/2-20 x .75
22	782-7601A		Cable Bracket
23	741-0674		Bearing
24	611-0066		Shaft Ass'y.
25	721-0325		Plug
26	717-1469		Gear 34 T.
27	711-1168		Output Shaft 6 T.
28	741-0673		Flange Bearing
29	721-0329		Oil Seal
30	782-7595		Pivot Bracket
31	741-0324		Flange Bearing
32	736-0369		Wash. Fl. .508 I.D. x 1.00 O.D. x .020
33	741-0690		Thrust Bearing
	618-0263A		Transmission Complete