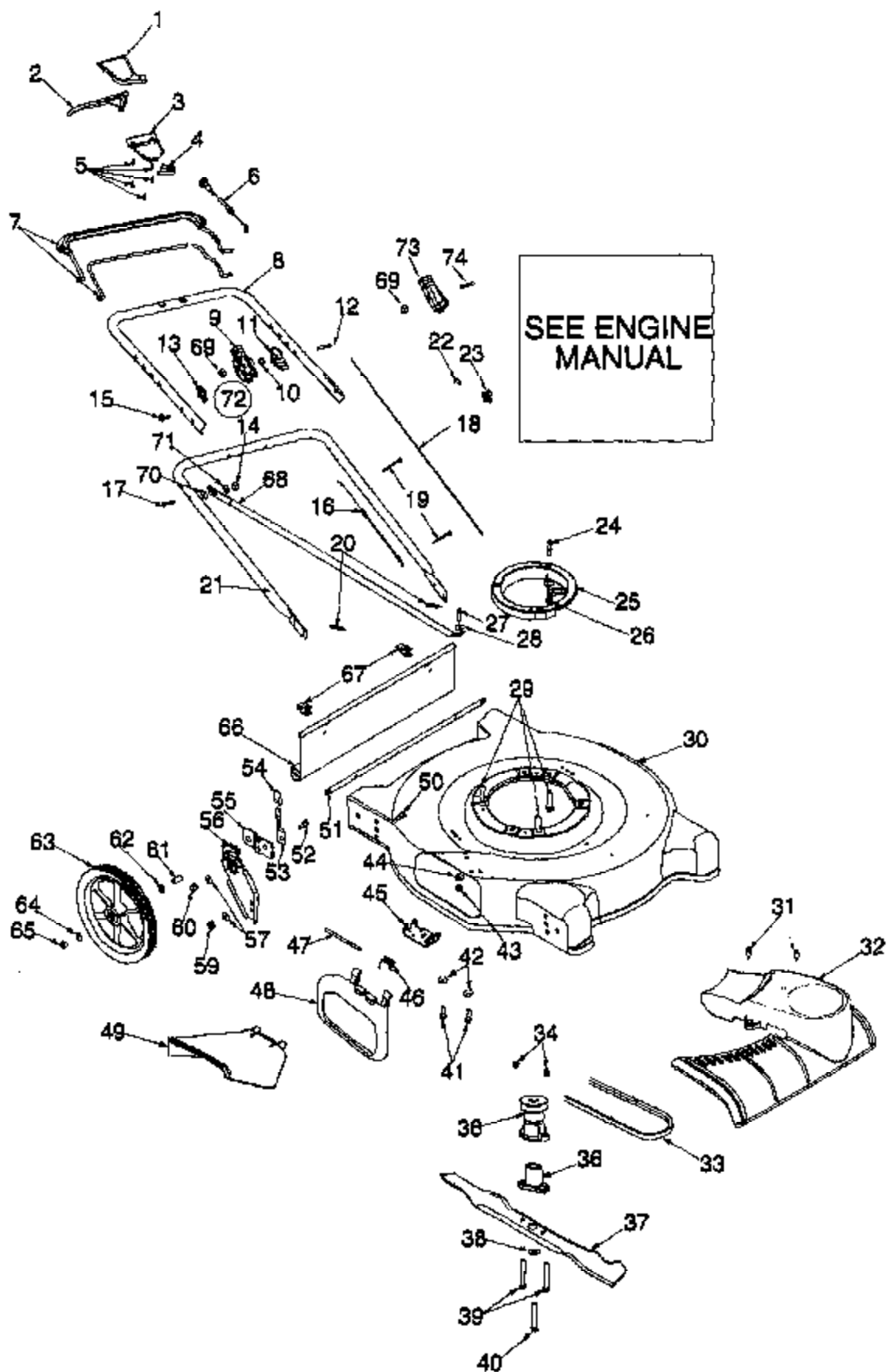


Ref #	Part Number	Qty	Description
1	712-3025		Hex Jam Nut 5/16-24
2	736-0425		Bell Wash .325 x .930 x .045
3	756-1042		Pulley
4	736-0425		Bell Wash .325 x .930 x .045
5	712-0896		Hex Nut 1/4 - 28 Lock
6	736-0406		Flat Wash .442 x 1.38 x .060
7	782-7598		Belt Keeper
8	741-0124		Ball Bearing
9	721-0457		Oil Seal
10	750-1050		Flange Spacer
11	682-0028		Idler Bracket Ass'y
12	741-0682A		Bearing Sleeve
13	732-0849A	12A-589N062/1998pg. 2 of 5	Wash. Flat: .504 x .700 x .030
14	710-0299	Drive Assembly (Model Serie	Hex Cap Screw 1/4-28 x 1.00 Gr. 5
15	736-0570		Flat Washer .865 x 1.145 x .030
16	741-0699		Needle Bearing .438 x .625 x .500
17	721-0325		Plug 1/4 x .437
18	618-0300		Housing Asm: Upper: (Incl. #16)
19	721-0329		Seal: Oil: .500 x .687 x .094
20	741-0673		Flange Bearing .503 x .689 x .792
21	611-0105		Output Shaft
22	736-0520		Flat Washer .504 x .700 x .030
23	717-1492		Pinion Shaft 10T.
24	736-0314		Thrust Washer .375 x .70 x .030
25	736-0569		Thrust Washer .388 x .625 x .062
26	618-0299		Housing:Lwr: (Includes #27)
27	741-0672		Flange Bearing .378 x .531 x .370
28	710-1276		Hex Screw w/Wash 1/4-20 x .750
29	618-0298		Transmission-Complete (Incl. 1 thru 30)
30	732-0708		Bearing Retainer
31	741-0604		Bearing Sleeve .50 I.D.
32	748-0355		Bearing Support
33	736-0447		Wave Washer 1.5 x 1.0 x .029
34	782-0512B		Height Adj. Plate: RH
35	782-0511A		Height Adj. Plate: LH
36	682-0509		Pivot Plate Asm.
37	732-0706		Front Lever R.H
38	732-0707		Front Lever L.H.
39	720-0190		Knob
40	710-0216		Hex Cap Screw 3/8-16 x .75
41	736-0474		Washer DD 1.5" O.D.
42	716-0102		Snap Ring 1.0 Dia.
43	782-7551		Wheel Dust Cap
44	717-1534		Gear 14T RH Fwd
45	717-1533		Gear 14T LH Fwd
46	634-0021A		Whl 8 x 1.75 Disk Bar Gray Sleeve S
47	731-0981A		Hubcap: Whl: Radial Spoke Grey
	720-0249		Hubcap: Euro: Grey
48	682-0512A		Height Adj. Complete RH
49	682-0511A		Height Adj. Complete LH
50	682-0030		Cable Idler Bracket
51	715-0221		Dowel Pin
52	736-3013		Flat Washer 1/2 x 1.00 x .063
53	714-0101		Cotter Pin .08 x 1.42
54	738-1002		Screw, Shoulder .375 x .25AB: 1/4-20 Thd.
55	754-0466		"V"-Belt



Ref #	Part Number	Qty	Description
1	731-1057		Upper Drive Cover
2	731-0620		Drive Lever
3	731-1058		Lower Drive Cover
4	731-1059		Mounting Cap
5	710-0841		Screw #10-12 x .75
6	746-0960		Drive Cable
7	747-0824		Control Lever
	647-0004		HANDLE ASSY-CONTROL (Deluxe)
8	749-00539B		Upper Handle
9	746-0875		Throttle Housing
10	736-0501		Curved Washer .663 x .980 x .014
11	746-0876		Throttle Lever
12	710-0605	12A-589N062 (1998) 1 of 5	Screw Oval C Sunk 1/4-20 x 1.81
13	720-0279		General Assembly (Model Se
14	712-0267		Hex Nut 5/16-18
15	710-1205		Eye Bolt 1/4-20
16	746-0842		Throttle Cable: 51" (B&S)
	746-0847		Throttle Cable: 42" (Tec)
17	710-1174		Carriage Bolt 5/16-18 x 2.0
18	746-0550		Control Cable: 39" (B&S)
	746-0737		Control Cable: 51" (Tec)
19	726-0240		Tie Cable
20	714-0104		Cotter Pin
21	749-0928		Lower Handle
22	710-1237		Hex Screw: T: #10-32 x .625 (B&S)
	710-0871		Hex Screw: T: #10-32 x .625 (Tec)
23	751B213146		Cable Clamp B&S
	7510007775		Cable Clamp Tec
24	711-1293		Pin-Belt Keeper
25	631-0075		Engine Spacer
26	712-0271		Hex Nut 1/4-20 Thread
27	710-0751		Hex Screw 1/4-20 x .620
28	736-0270		Bell Washer .265 x
29	710-1008		Tapp Screw w/Hex Lock Wash
30	782-0079		Deck 22" SD
31	7510042824		Screw #12 x .457
32	731-1926		Trans Cover - Black w/Logo
	731-1927		Trans Cover - Black w/o Logo
33	754-0466		V-Belt
34	712-0324		Hex Lock Nut 1/4-20 Thd.
35	756-1146		Drive Pulley
36	753-0825		Blade Adapter Kit (Incl. Ref. 34, 38-40)
37	742-0642		Blade 22"
	742-0742		Mulching Blade - 22"
38	736-0452		Bell Washer .396 I.D. x 1.140 O.D. x .095
39	710-0606		Hex Screw 1/4-20 x 1.50
40	710-1257		Hex Screw 3/8-24 x 2.50
41	710-0599		Tapp Screw 1/4-20 x .500
42	736-0270		Bell Wash .265 x .75 x .062
43	712-0287		Hex Nut 1/4-20
44	736-0270		Bell Washer .265 x .75 x .062
45	782-7006		Hinged Mounting Bracket
46	732-0731		Torsion Spring
47	747-0710		Hinge Pin
48	731-1386A		Mulch Plug
49	731-1034		Chute Deflector

Ref #	Part Number	Qty	Description
50	710-0793		Bolt 3/8-24 x .80
51	738-0878		Rear Axle
52	738-0507B		Shldr Screw .500 Dia x .434
53	732-0404		Lever Spring
54	720-0190		Knob
55	782-0519A		Small Pivot Bar - LH
	782-0520A		Small Pivot Bar - RH
56	682-0517		Handle Bracket Ass'y - LH
	682-0518		Handle Bracket Ass'y - RH
57	736-0169		Lock Washer 3/8
58	712-0328		Hex Nut 3/8-24
59	736-0331		Bell Washer .39 x 1.13 x .062
60	712-0798	12A-589N062 (1998) 5 of 5	Hex Nut 3/8-16
61	750-0151	General Assembly (Model Se	Spacer
62	736-0504		Wave Washer.510 ID x.750 OD
63	734-1864		Wheel Complete 14 x 1.8 Grey Bar Tread
	741-0484		Bearing (2 per Wheel) (Incl. w/No. 63)
64	736-3050		Flat Washer .406 x .812 x .051
65	712-3020		Top Lock Jam Nut 3/8-16
66	731-1026		Rear Flap
67	17098		Hinge Clip
68	749-0939		Strut - Handle
69	712-0324		Hex Lock Nut 1/4-20
70	736-0451		Saddle Washer .20 ID x .83 OD
71	736-0119		Lock Washer 5/16
72	811-00185		Throttle Comp. (Incl. Ref 9-12, & 69)
73	746-0883		Throttle Hsg. w/o Lever
74	710-1270		Scr. 1/4-20 x 1.31 Oval C-Sunk