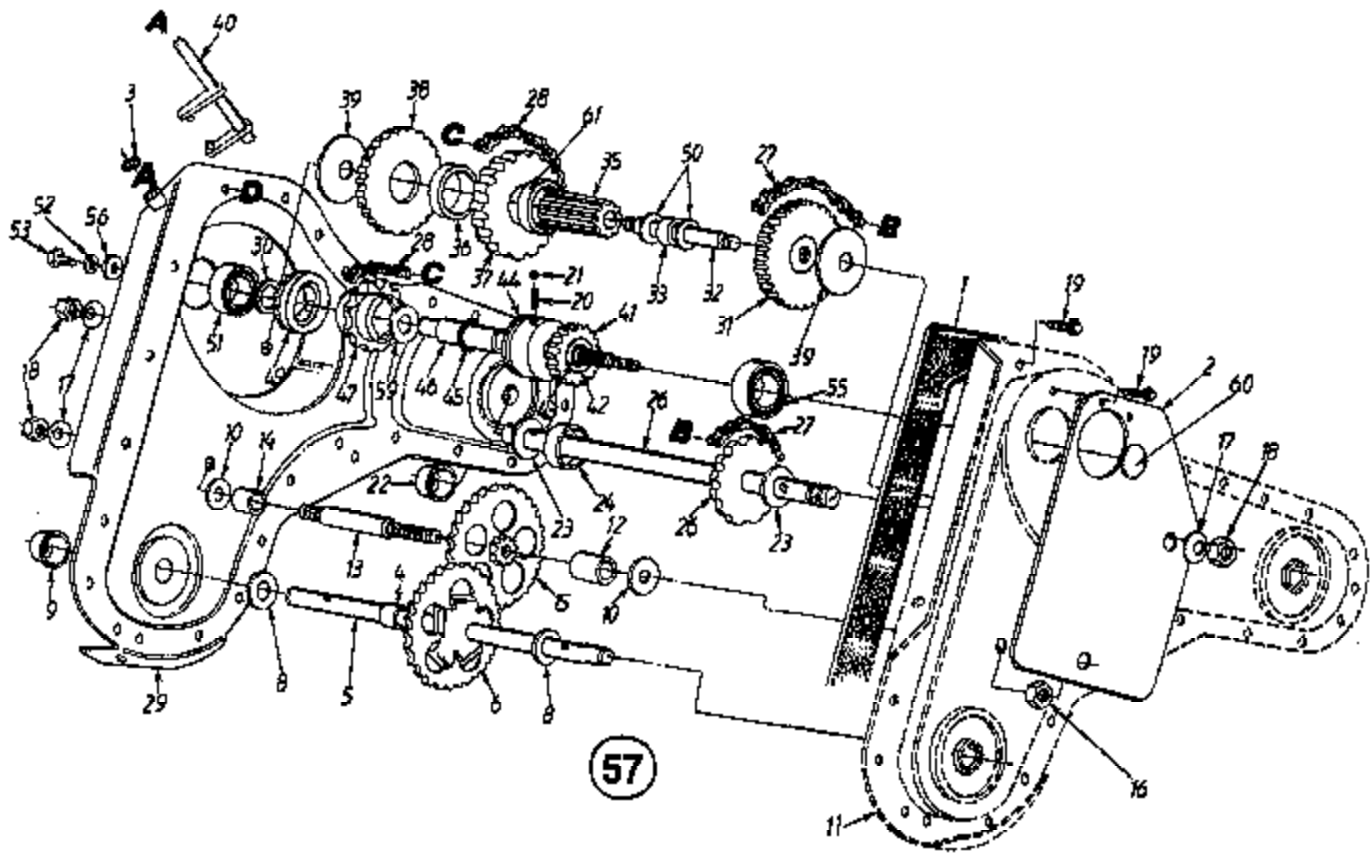


Ref #	Part Number	Qty	Description
1	710-0118		Hex Bolt 5/16-18 x .75" Lg.
2	712-3004A		Hex Top L-Nut 5/16-18 Thd.
3	786-0107		Cable Mtg. Bracket
4	710-1017		Torx Mach. AB-Tap Scr. 1/4 x .6" Lg.
5	738-0899		Belt Cover Bolt
6	786-0117		Shift Cover Bracket
7	786-0100		Belt Cover
8	736-0142		FI-Wash. .281" I.D. x .5" O.D.
9	712-0392		Hex Cap Nut 1/4-28 Thd.
10	756-0634		Flat Pulley 8" O.D.
11	736-0105		Bell-Wash. .38" I.D. x .88" O.D.
12	712-0130		Hex Ins. L-Nut 3/8-16 Thd.
13	754-0438	21A-410-062 (1997)	Drive/Wheel Assembly
14	686-0031		Belt Keeper Brkt.
15	736-0119		L-Wash. 5/16" I.D.
16	710-0237		Hex Bolt 5/16-24 x .62" Lg.
17	738-0876		Shld. Nut
18	712-0266		Hex Jam L-Nut 3/8-16 Thd.
19	756-0405		FI-Idler w/Flanges
20	710-0152		Hex Bolt 3/8-24 x 1" Lg.
21	736-0217		L-Wash. 3/8" I.D.
22	736-0258		FI-Wash. 3/8" I.D. x 1" O.D.
23	756-0972		Outer Engine Pulley Half
24	756-0971		Inner Engine Pulley Half
25	786-0080		Idler Bracket
26	710-0723		Hex Bolt 3/8-16 x 1.25" Lg.
27	746-0916		Clutch Cable
28	734-0255		Air Valve
29	714-0104		Hairpin Clip
30	711-1017		Clevis Pin
31	634-0112		Rim Only For models (410)
	634-0108		Rim Only For models (420)
32	634-0110		Wheel Ass'y. Comp.-R.H. For models (410)
	634-0111		Wheel Ass'y. Comp.-L.H. For models (410)
	634-0106		Wheel Ass'y. Comp.-R.H. For models (420)
	634-0107		Wheel Ass'y. Comp.-L.H. For models (420)
	734-1796		Tire Only For models (410)
	734-0808		Tire Only For models (420)
34	619-0009		Frame Counterweight
35	710-1007		Hex TT-Tap Scr. 3/8-16 Thd.
36	710-3002		Hex Bolt 5/16-18 x 1" Lg. (Gr. 5)
37	712-3004A		Hex Flange L-Nut 5/16-18 Thd.
38			Engine
41	686-0043A		Tine Shield Brkt. Ass'y.
42	710-3038		Hex Bolt 5/16-18 x 7/8" Lg.



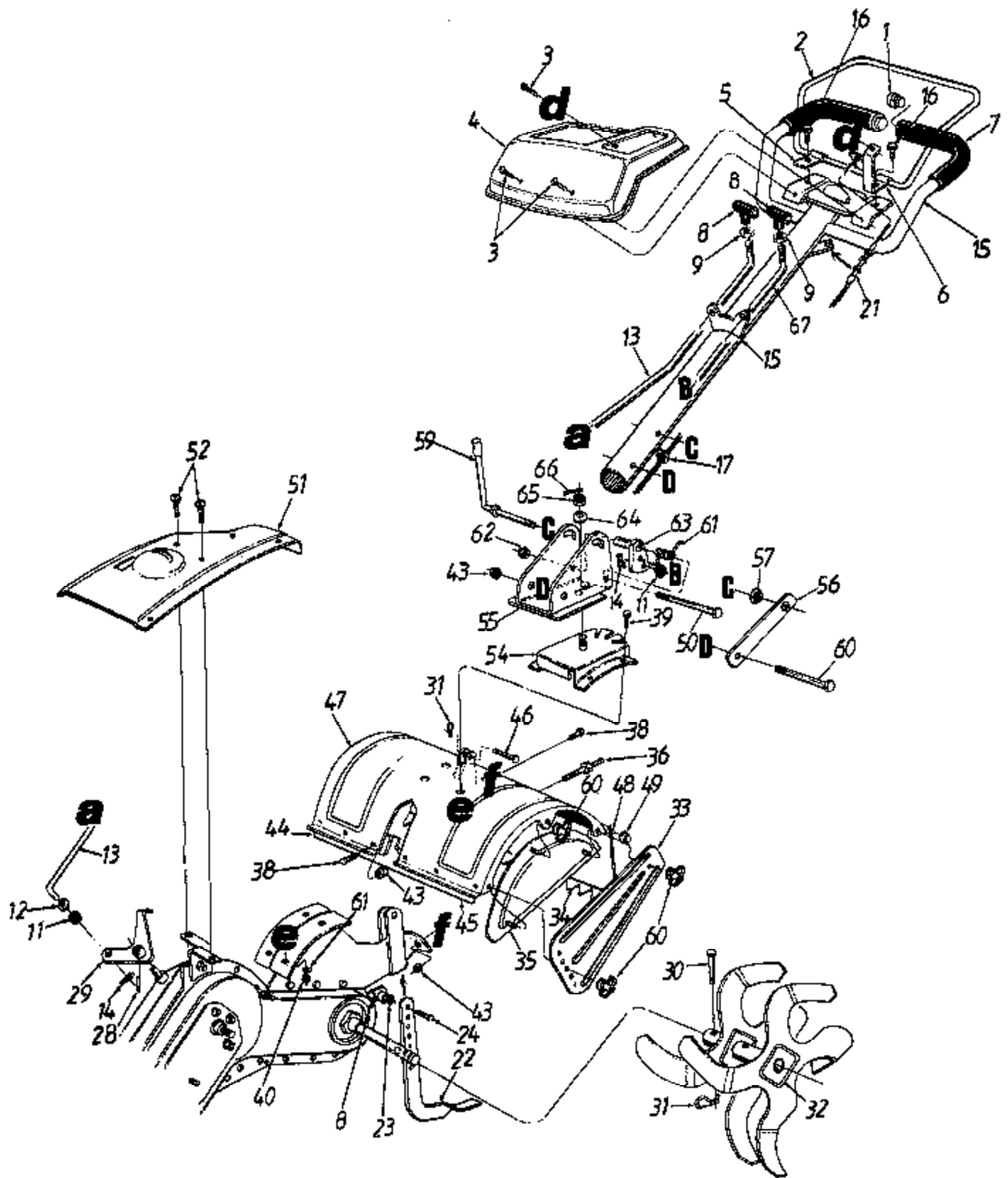
Ref #	Part Number	Qty	Description
1	721-0295		Chain Case Gasket
2	786-0086		Reinforcement Plate
3	716-0865		Snap Ring
4	750-0938		Spacer .735" I.D. x .886" O.D.
5	611-0058		Wheel Shaft New Part
6	717-1458		Spur Gear 46T New Part
8	736-0351		FI-Wash. .76" I.D. x 1.5" O.D.
9	721-0379		Shaft Seal New Part
10	736-0406		FI-Wash. 7/16" I.D. x 1-3/8" O.D.
11	686-0039		Gear Case Ass'y. Half-L.H.
12	750-0935		Spacer .635" I.D. x 1" O.D. x .78
13	738-0885		Jack Shaft 2.06" Lg.
14	750-0936		Spacer .635" I.D. x 1" O.D. x .37" Thk.
15	617-0004		Gear Case Ass'y.
16	712-3067		Hex Patch L-Nut 7/16-20 Thd.
17	736-0407		Bell-Wash. .45" I.D. x 1" O.D.
18	712-0378		Hex Nut 7/16-20 Thd.
19	710-0896		Hex Wash. Hd. TT-Tap Scr. 1/4-20 x .5" Lg.
20	732-0863		Spring Detent
21	741-0862		Ball Detent
22	721-0378		Shaft Seal New Part
23	736-0163		Thrust Wash. 1.03" I.D. x 1.62"
24	750-0570		Spacer 1" I.D. x 2" O.D. x .5" Thk.
26	611-0021		Tine Shaft Ass'y.
27	713-0226		Chain #50 5/8" Pitch x 52 Links-Endless
28	713-0223		Chain-#41 1/2" Pitch x 30 Links-Endless
29	686-0038		Gear Case Ass'y. Half-R.H.
30	736-0541		FI-Wash. 7/16" I.D. x 1-3/8" O.D.
31	617-0002		Gear and Sprocket Ass'y.
32	738-0884		Jack Shaft 5" Lg.
33	750-0931		Spacer .636" I.D. x .86" O.D.
35	717-1411		Spur Gear 10T
36	750-0930		Spacer 1.5" I.D. x 1.76" O.D.
37	713-0436		Sprocket-#41 Chain
38	717-1405		Reverse Gear 46T
39	736-0518		Thrust Wash. .445" I.D. x 1.92"
40	618-0245		Shifter Ass'y. New Part
41	717-1409		Spur Gear 17T
42	736-0442		FI-Wash. .69" I.D. x 1.06" O.D.
43	732-0614		Wire Ring
44	718-0234		Clutch Collar
45	716-0235		Retaining Ring .875" Shaft
46	711-1087		Drive Shaft New Part
47	713-0435		Sprocket 11T
49	717-1451		Spur Gear 16T
50	736-0336		FI-Wash. 5/8" I.D. x 1" O.D.
51	741-0124		Ball Bearing .669" I.D.
52	736-0329		L-Wash. 1/4" I.D.
53	710-0258		Hex Bolt 1/4-20 x .62" Lg.
55	741-0563		Ball Bearing
56	736-0512		FI-Wash. .281" I.D. x .875" O.D.
57	686-0094		Gear Case Ass'y. Comp. New Part
58	718-0237		Key-Drive Shaft (Not Shown)
59	736-0265		FI-Wash. .88" I.D. x 1.5" O.D.
60	726-0331		Button Plug
61	750-0987		Spacer 1.52" I.D.

21A-410-062 (1997) Page 4 of 8

Gear Case Assembly

Ref #	Part Number	Qty	Description
	737-0148		Grease (40 oz. Req'd.)

21A-410-062 (1997) Page 5 of 8
Gear Case Assembly



Ref #	Part Number	Qty	Description
1	735-0246		Vinyl End Plug
2	647-0014		Clutch Control Ass'y.
3	710-1017		Torx Mach. AB-Tap Scr. 1/4 x .62" Lg.
4	786-0131		Handle Cover
5	786-0098		Retaining Brkt.-R.H.
6	786-0118		Retaining Brkt.-L.H.
7	720-0278	2 Req'd	Grip
8	720-0210A		Knob
9	712-3008		Hex Jam Nut 3/8-16 Thd.
11	735-0127		Rubber Washer
12	736-0204		FI-Wash. .344" I.D. x .6" O.D.
13	747-0902		Gear Shift Rod
14	714-0104	21A-410-062 (1997) 7 of 8	Hairpin Clip
15	649-0023	Handle Ass'y	Handle Ass'y.
16	710-0896		Tap Scr. 1/4-14 x 5/8" Lg.
17	726-0330		Cable Clip
21	746-0916		Clutch Cable
22	786-0120		Depth Bar
23	736-0117		FI-Wash. 3/8" I.D. x 5/8" O.D.
24	710-0253		Hex Bolt 3/8-16 x 1" Lg.
28	715-0120		Spiral Pin 3/16" x 1"
29	686-0095		Shift Crank Ass'y.
30	711-0415		Clevis Pin
31	714-0149B		Hairpin Clip
32	642-0015		Tine Ass'y.-L.H.
	642-0016		Tine Ass'y.-R.H. (Not Shown)
33	786-0090		Side Shield
34	786-0113		Rear Tine Shield
35	686-0044A		End Cover Ass'y. New Part
36	710-0849		Hex Cap Bolt 5/16-18 x 1.25" Lg.
38	710-3002		Hex Bolt 5/16-18 x .75" Lg.
39	710-3097		Carriage Bolt 3/8-16 x 1" Lg.
40	712-0798		Hex Ins. L-Nut 3/8-16 Thd.
43	712-3004A		Hex Flange Top L-Nut 5/16-18 Thd.
44	786-0076		Tine Shield Brkt.-R.H.
45	786-0077		Tine Shield Brkt.-L.H.
46	711-0415		Clevis Pin .375" Dia.
47	786-0085		Tine Shield
48	747-0432		Tiller Flap Rod
49	726-0106		Cap Speed Nut
50	710-0189		Hex Bolt 5/16-18 x 3" Lg.
51	786-0101A		Shift Cover New Part
52	710-1017		Torx Mach. AB-Tap Scr. 1/4 x .6"
54	786-0109		Handle Brkt.-L.H.
55	786-0108		Handle Brkt.-R.H.
56	784-0191		Hex Nut Retainer Brkt.
57	712-0379		Hex Flange Nut 3/8-24 Thd.
58	750-0885		Spacer .322 Dia.
59	784-0190		Handle Adjustment Crank
60	712-0421		Knob 5/16-18 Thd.
61	736-0169		L-Washer 3/8" I.D.
62	912-0375		3/8" Nut
63	748-0375		Handle
64	936-0317		Bellwasher
65	712-0396		5/8" Nut
66	914-3024		Pin

Ref #	Part Number	Qty	Description
67	747-0901		Handle, Rod

21A-410-062 (1997) Page 8 of 8
Handle Assembly/Tine Asser