

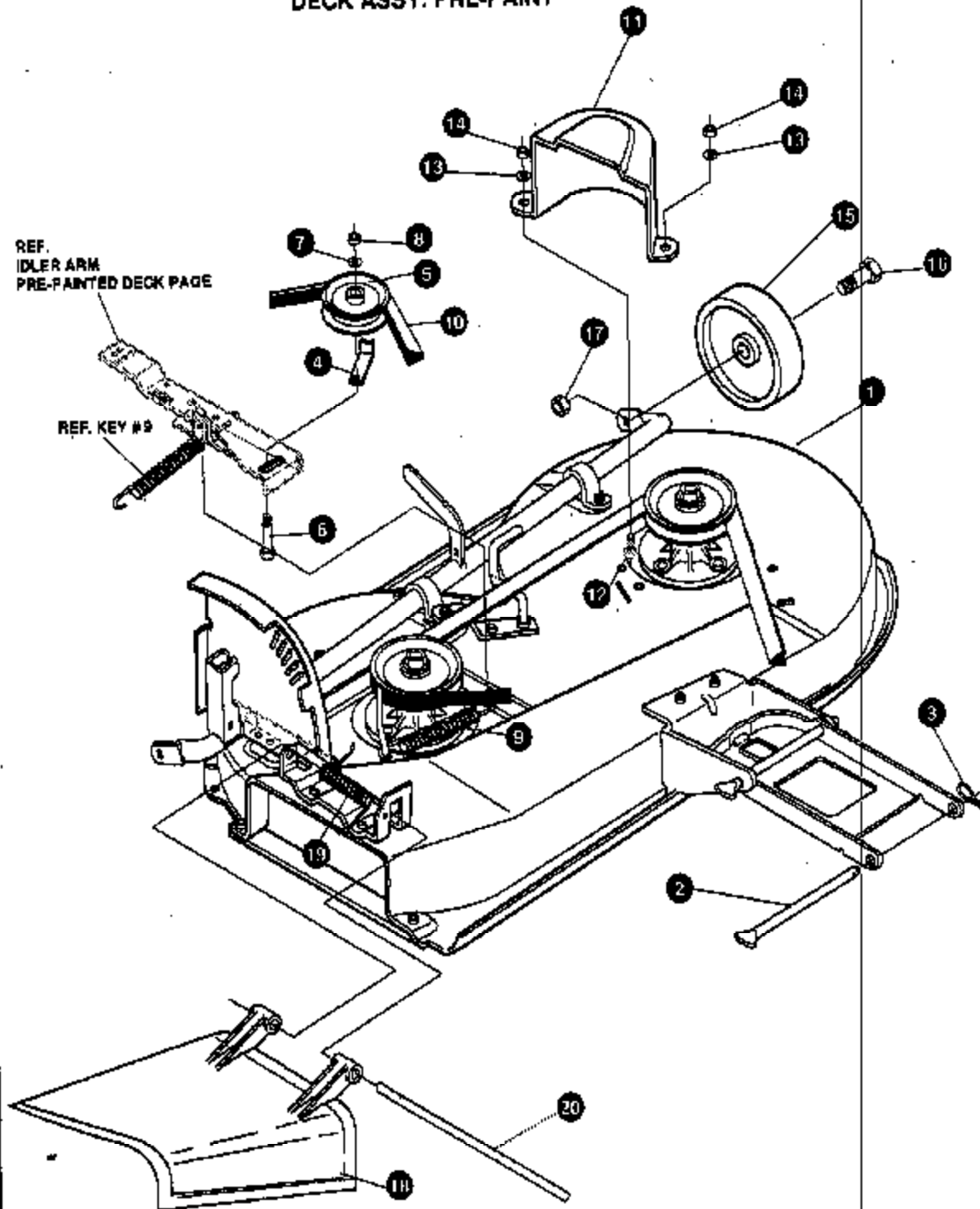
38" LAWN TRACTOR MODEL C3812-010

FINAL DECK ASSEMBLY

**REF. 318889
DECK ASSY. PRE-PAINT**

**REF.
IDLER ARM
PRE-PAINTED DECK PAGE**

REF. KEY #9



NOTE: ALWAYS USE ORIGINAL EQUIPMENT PARTS.
Use of service/replacement parts other than original equipment parts may void your warranty.

**ALL UNNUMBERED
ITEMS ARE INTERCHANGABLE
WITH OPPOSITE SIDE**

319436B

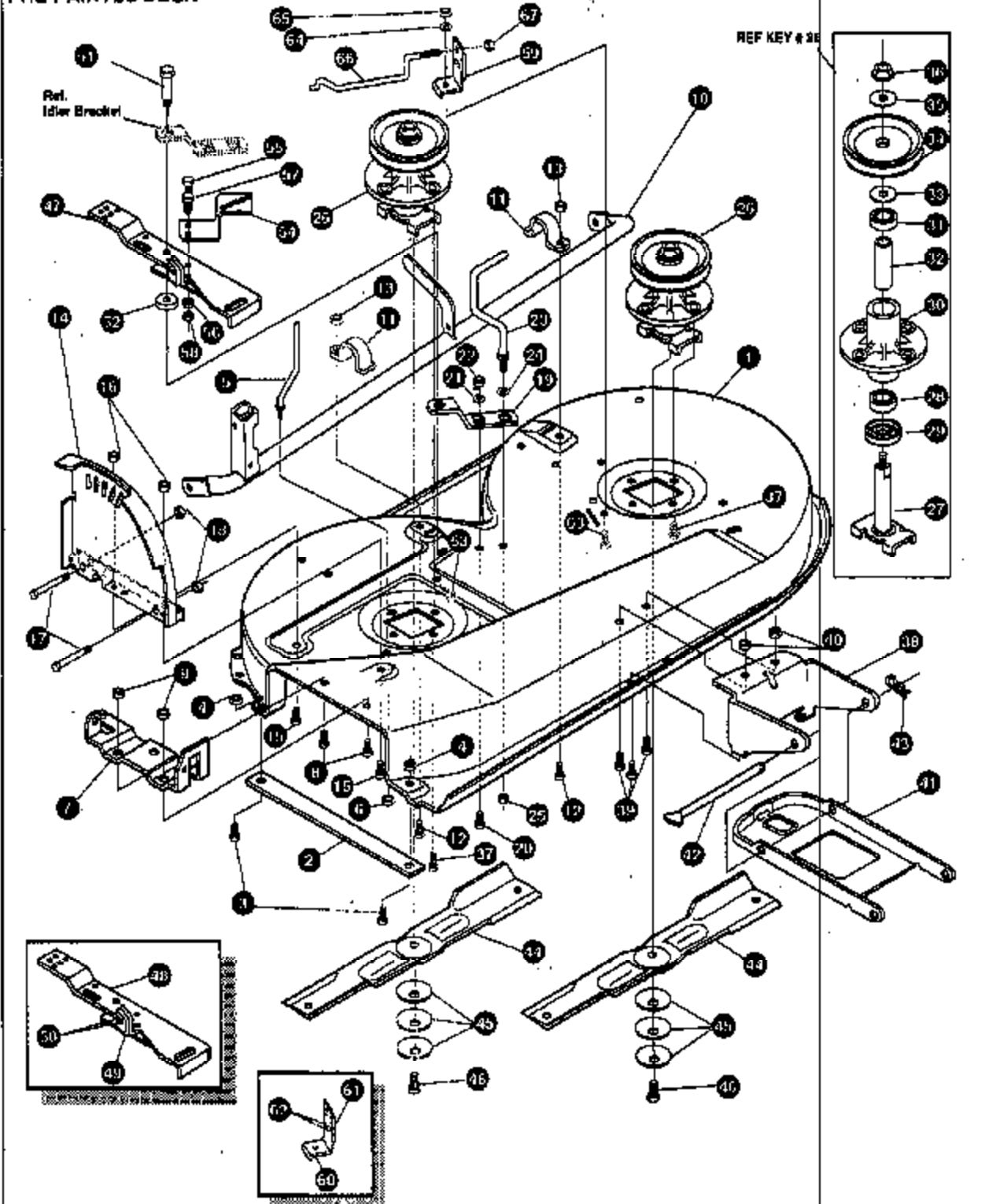
38" LAWN TRACTOR MODEL C3812-010

key#	part#	description	qty.
1.	*	DECK, 38SDGS 2WH ASSY DOM	1
2.	58306	ROD DECK HITCH	1
3.	8280	PIN, HAIR .091 DIA X 1.66LG	1
4.	1346	BELT RETAINER 2.55 OD	1
5.	310S26	PULLEY, IDLER	1
6.	67325	BOLT, 3/8-16X2.00 CARR	1
7.	120382	WASHER, REGSPTLK.398X.6&X.10	1
8.	120377	NUT, 3/8-16 REGHX	1
9.	922064	SPRING .75X9.4X.105	1
10.	300680	BELT, V 5L 77.75 KEVLAR	1
11.	302833	GUARD, BELT LH PLASTIC	1
12.	120228	SCREW, 5/16-18X .63 HHC	3
13.	120393	WASHER, FLAT .344X .69X.066	3
14.	1498	NUT, 5/16-18 REGHEXCTRLK	3
15.	302611	WHEEL, SD 6.000DX1.38WD	2
16.	23753	BOLT, .500X1.390 HSH 3/8-16	2
17.	1499	NUT, 3/8-16 REGHXCTRLK	2
18.	57818	CHUTE	1
19.	314975	SPRING TORSION	1
20.	57317	PIVOT ROD,CHUTE	1

* ORDER INDIVIDUAL PARTS.
 * STANDARD HARDWARE ITEMS

38" LAWN TRACTOR MODEL C3812-010

PRE-PAINTED DECK



NOTE: ALWAYS USE ORIGINAL EQUIPMENT PARTS. Use of service/replacement parts other than original equipment parts may void your warranty.

ALL UNNUMBERED ITEMS ARE INTERCHANGABLE WITH OPPOSITE SIDE

318888B

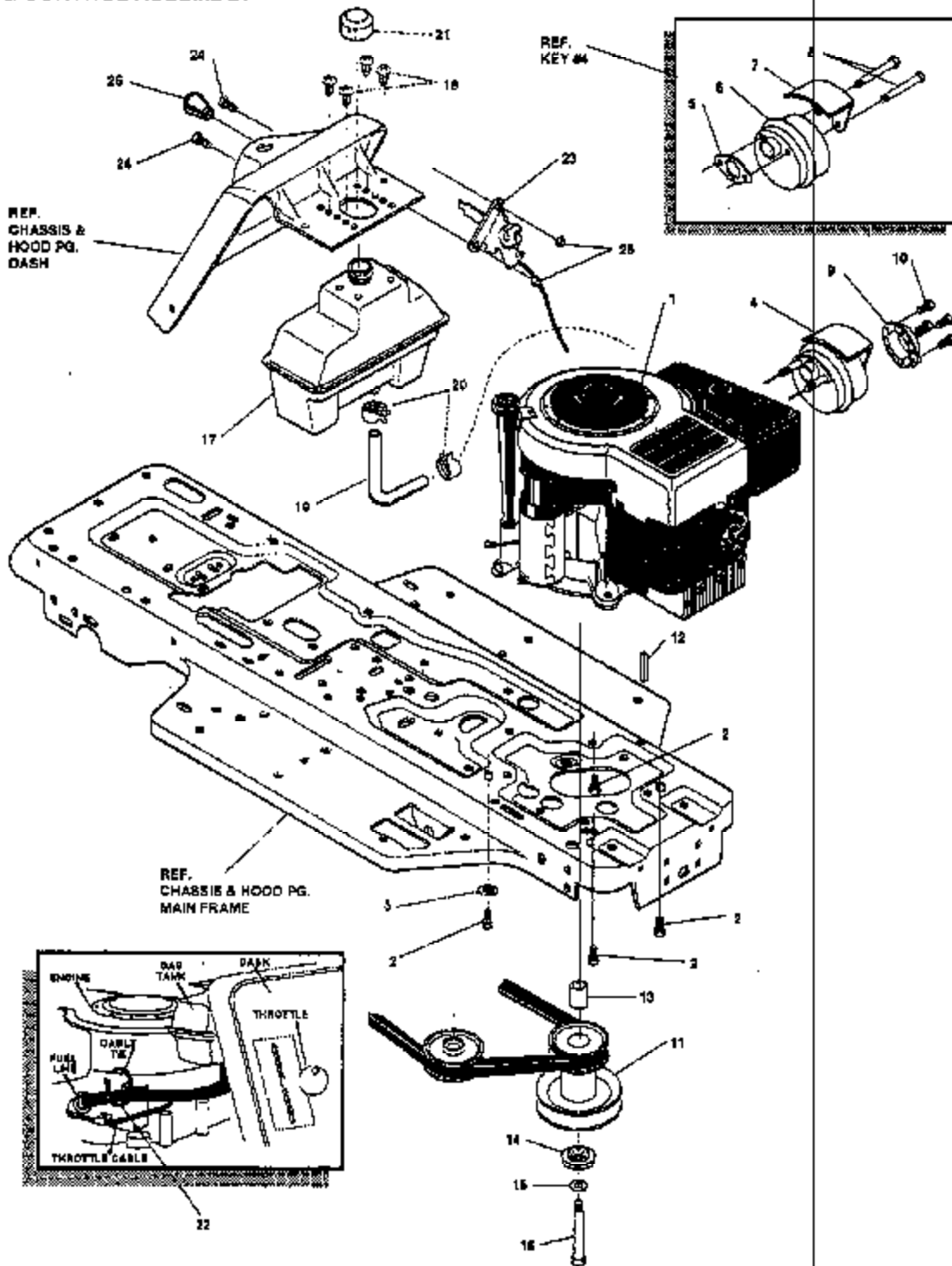
36" LAWN TRACTOR MODEL C3812-010

key#	part#	description	qty.
1.	315610-853	DECK,MOWER 36"SD	1
2.	57314	BAR, SKID	1
3.	128216	BOLT, 5/16-18X .75 CARR	2
4.	271184	NUT, 5/16-18 HEXKEPS	2
5.	57318	GUIDE, BELT 5/16-18 THD	1
6.	1498	NUT, 5/16-18 REGHEXCTRLK	1
7.	57380	BRACKET, CHUTE	1
8.	120834	SCREW, 5/16-18X .50 HHC	2
9.	1498	NUT, 5/16-18 REGHEXCTRLK	2
10.	308541	TUBE, ASSY TORQUE	1
11.	51986	SUPPORT,PIVOT TUBE	2
12.	120228	SCREW, 5/16-18X .83 HHC	2
13.	1498	NUT, 5/16-18 REGHEXCTRLK	2
14.	308196	QUADRANT,HEIGHT ADJ.,DECK LIFT	1
15.	120228	SCREW, 5/16-18X .83 HHC	2
16.	1498	NUT, 5/16-18 REGHEXCTRLK	2
17.	122040	SCREW, 5/16-18X1.60 HHC	2
18.	1498	NUT, 5/16-18 REGHEXCTRLK	2
19.	300179	BRACKET, IDLER SUPPORT	1
20.	180077	SCREW, 5/16-18X .75 HHC	1
21.	120393	WASHER, FLAT .344X .69X.065	1
22.	44108	NUT, 5/16-18 HWDFLCTRLK	1
23.	314835	GUIDE, BELT 5/16-18THD	1
24.	120393	WASHER, FLAT .344X .69X.065	1
25.	44108	NUT, 5/16-18 HWDFLCTRLK	1
26.	66424	QUILL ASSY, 26/38/40/43	2
27.	55425	SHAFT/SADDLE 36"	1
28.	49562	BRNG, BALL .668IDX1.575ODX.472	1
29.	50616	DUST SHIELD	1
30.	55547	QUILL CASTING (1048)	1
31.	49562	BRNG, BALL .668IDX1.575ODX.472	1
32.	50818	SPACER, SLEV .889X .88X3.787	1
33.	51449	SPACER, SLEV .872X .89X .488	1
34.	56390	PULLEY,26/38" QUILL V6L	1
35.	56365	WASHER, SPECIAL QUILL	1
36.	1282	NUT, 7/16-20 WDFLLK	1
37.	50634	SCREW, 5/16-18X .88 WAHMTAP	8
38.	320070	BRKT, FRONT DECK	1
39.	120228	SCREW, 5/16-18X .63 HHC	4
40.	1498	NUT, 5/16-18 REGHEXCTRLK	4
41.	320068	DRAWBAR, DECK	1
42.	58306	ROD, DECK HITCH	1
43.	8260	PIN, HAIR .081 DIA X1.66LG	1
44.	56180	BLADE, 19.69 HI-LIFT	2
45.	2483	WASHER,.36IDX1.26DX.07 BELLVIL	6
46.	39573	SCREW, 3/8-24X1.00 NYLHHC	2
47.	300491	BRACKET, IDLER ARM/BRAKE	1
48.	300480	IDLER ARM BLK 853	1
49.	306973	BRAKE PAD - HARD	1
50.	41801	RIVET, OVSET .187DIA X .50LG S	2
51.	300180	BOLT, .50 X1.88 HHS 3/8-16	1
52.	898416	WASHER, FLAT .361X1.00X.125	2
53.	45171	NUT, 3/8-16 HWDFL WHIZ-LOCK	1
54.	214186	BRACKET, IDLER	1
55.	120228	SCREW, 5/16-18X .83 HHC	1
56.	1498	NUT, 5/16-18 REGHEXCTRLK	1
57.	120854	SCREW, 1/4-20X .63 HHC	1
58.	1502	NUT, 1/4-20 REGHEXCTRLK	1
59.	303247	ASSY, BLADE BRAKE 36,39,45	1
60.	303246	BRAKE ARM	1
61.	306973	BRAKE PAD - HARD	1
62.	135824	RIVET, TRSET .188DIA X .41LG ST	2
63.	120228	SCREW, 5/16-18X .63 HHC	1
64.	120393	WASHER, FLAT .344X .69X.065	1
65.	1498	NUT, 5/16-18 REGHEXCTRLK	1
66.	300316	ROD, BRAKE RELEASE 14.7 38DECK	1
67.	1502	NUT, 1/4-20 REGHEXCTRLK	1

* STANDARD HARDWARE ITEMS.

38" LAWN TRACTOR MODEL C3812-010

ENGINE & CONTROL ASSEMBLY



NOTE: ALWAYS USE ORIGINAL EQUIPMENT PARTS. Use of service/replacement parts other than original equipment parts may void your warranty.

ALL UNNUMBERED ITEMS ARE INTERCHANGABLE WITH OPPOSITE SIDE

38" LAWN TRACTOR MODEL C3812-010

key#	part#	description	qty.
1	ENGINE	12 HP B&S (SEE ENGINE MANUAL)	1
2	50947	SCREW, 3/8-18X1.25 WAHHTAP	4
3	138489	WASHER, EXLK .384X.69X.04	1
4	57776	MUFFLER ASSY	1
5	48708	GASKET, MUFFLER	1
6	64786	MUFFLER-ROUND	1
7	54767	SHIELD, HEAT	1
8	173083	SCREW, 5/16-18X3.50 HHC	2
9	328423	DEFLECTOR, EXHAUST	1
10	35287	SCREW, #8-32X .38 HHWATAP	3
11	310250	PULLEY, ENGINE	1
12	303161	KEY, SQUARE .249SQX4.50	1
13	304246	SPACER, 1.01X1.484	1
14	58431	WASHER, .980ID X 1.380OD X .437PILOT	1
15	120393	WASHER, REGSPTLK.459X.75X.12	1
16	433148	SCREW, 7/16-20X4.25 HHC	1
17	314989	TANK, FUEL 1 GAL	1
18	49060	SCREW, 1/4-18X .75PHPNTAP	4
19	47452	GAS LINE .25ID BULK LENGTH	12IN
20	48672	CLAMP, FUEL LINE	2
21	46704	GAS CAP 1-1/2-7 THD	1
22	57444	TIE CABLE	1
23	320031	THROTTLE CONTROL	1
24	35291	SCREW, 10-24X .50 SLHHMA	2
25	271166	NUT, #10-24 HEXKEPS	2
26	50607	KNOB, ROUND THROTTLE	1

• STANDARD HARDWARE ITEMS.