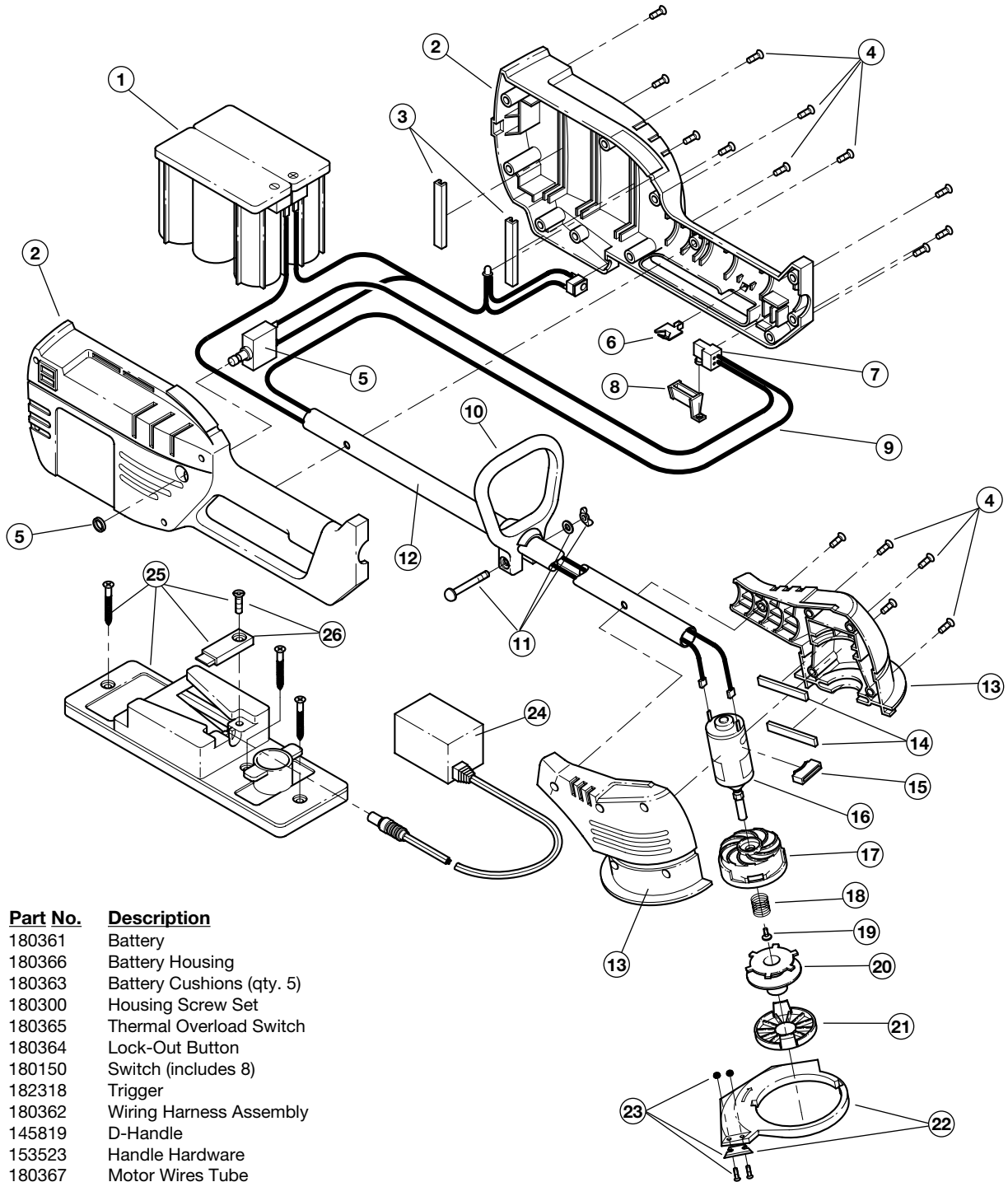


REPLACEMENT PARTS—MODEL 150r

12 VOLT BATTERY TRIMMER

(Serial Number 203104731 and greater)



Item	Part No.	Description
1	180361	Battery
2	180366	Battery Housing
3	180363	Battery Cushions (qty. 5)
4	180300	Housing Screw Set
5	180365	Thermal Overload Switch
6	180364	Lock-Out Button
7	180150	Switch (includes 8)
8	182318	Trigger
9	180362	Wiring Harness Assembly
10	145819	D-Handle
11	153523	Handle Hardware
12	180367	Motor Wires Tube
13	180368	Motor Housing
14	180369	Motor Supports
15	180370	Anti-Rotation Block
16	180371	Motor Assembly
17	180372	Outer Spool and Eyelet
18	180374	Spring
19	180375	Screw
20	180292	Inner Reel (includes 0.080" Line)
21	180376	Reel Cover
22	180293	Guard and Blade Assembly
23	180377	Blade Assembly

Item	Part No.	Description
24	180294	12 Volt Charger
25	180295	Charging Station Stand (includes 26)
26	180378	Barrel Clamp Assembly
*	180379	Battery Housing Decal Set
*	610375	.080" Replacement Line, 50 ft.
*	180327	Cutting Head Assembly (includes 17-21)
*		Not Shown